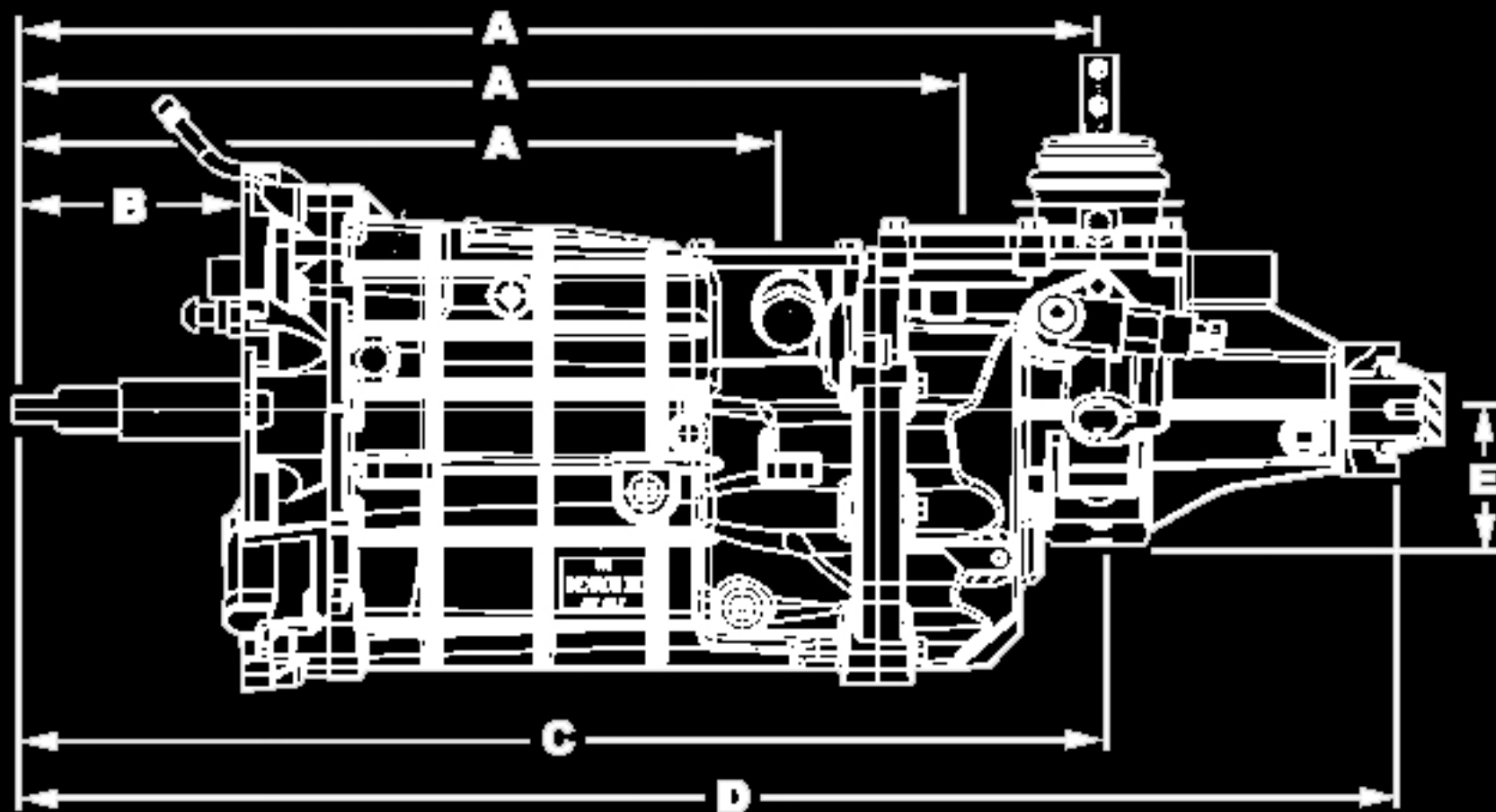


TREMEC T-56 Magnum



Application	Installation Dimensions (Inches)				
	A	B	C	D	E
GM LS Hyd.	18.9/23.0/26.6	6.46	26.6	33.8	3.1

- A. Shifter location from rear face of engine block
- B. Input shaft length from face of trans case to tip of shaft
- C. Crossmember mounting location from rear face of block
- D. Overall length from rear face of block to end of casting
- E. Crossmember mounting location from centerline