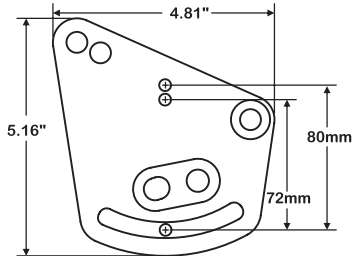
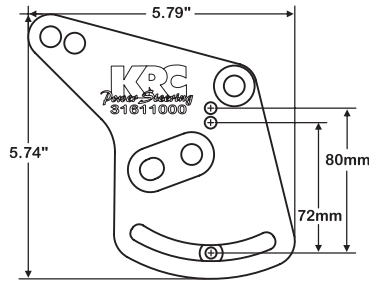


# Ford Brackets

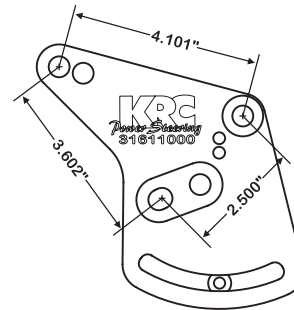
Ford head mounting bracket kits, KRC 31611000 and KRC 31621000, will fit several head bolt patterns. Refer to the four drawings to the right to see if they will work in your application. Bolt patterns for both brackets are the same. Bracket KRC 31611000 will fit short deck 260ci., 289ci. and 302ci. (8.2" - 8.7" deck height) blocks no matter which head is bolted to the block. Bracket KRC 31621000 is the same except it fits all tall deck 351ci. or 400ci. blocks (9.2" - 9.5" deck height).



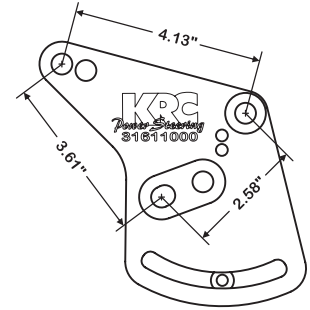
351 - 400  
With 9.2" - 9.5" Deck Height



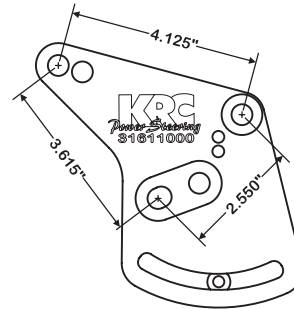
260 - 289 - 302  
With 8.2" - 8.7" Deck Height



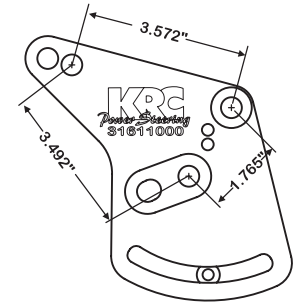
Old 302 - 351 Windsor  
Head Bolt Pattern



New 302 - 351 Windsor  
Head Bolt Pattern



351N - Sportsman  
Head Bolt Pattern



351 - Cleveland  
Head Bolt Pattern