

CON2R

CONCEPT TO REALITY

(Grant Products adapter shown, follow adapter instructions for proper adapter installation.)

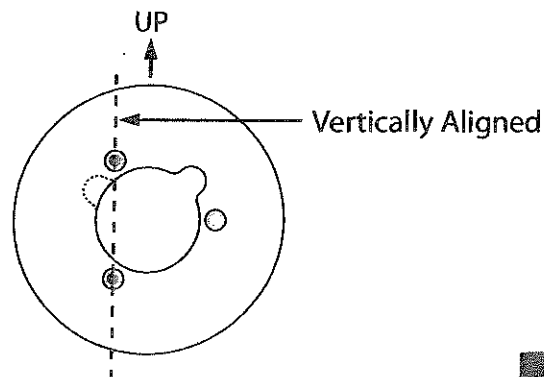
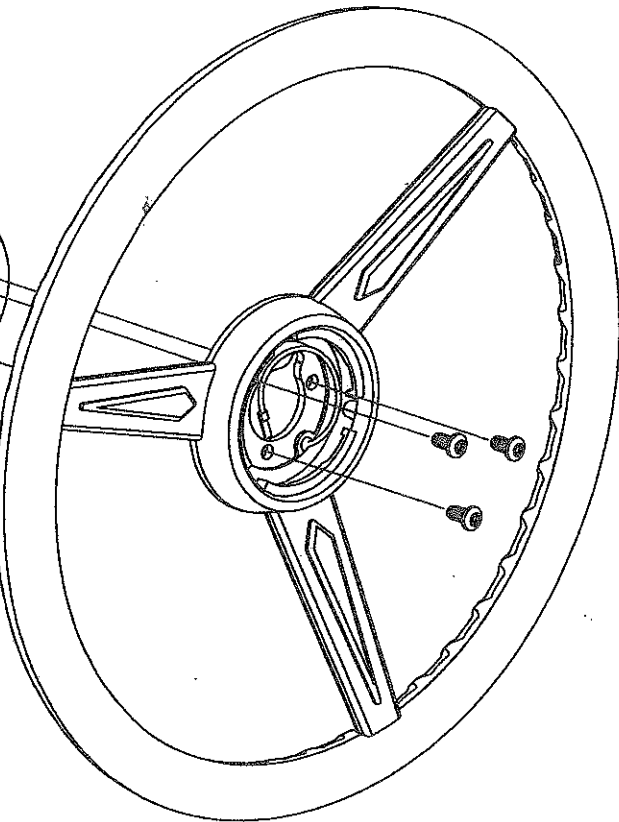
To access the mounting holes and horn ground wire for your steering wheel, fully depress and rotate the horn button counter-clockwise (↺) until it stops and can be removed from the horn bezel.

Your steering wheel is designed to be installed with a standard 3-hole mount or adapter with the three 1/4-28 button head screws (included). Tighten the three screws to the torque specs of your adapter.

When installed properly, with the steering at zero and the vehicle wheels pointed straight ahead, the steering wheel mount hole arrangement should be oriented to match this illustration.

To re-install the horn button, first connect the horn ground wire from your steering wheel to the horn connection on your column. Place the provided spring over the top of the spline nut on your column, insert the horn button, fully depress and rotate clockwise until it stops (90°).

* To properly display horn buttons with logos or emblems; when installing the button insert it with the logo/emblem rotated 90° counter-clockwise from proper orientation.



We recommend Mothers® Plastic Polish for cleaning and removing scratches from the ABS plastic components on your steering wheel. Visit www.mothers.com for more information.



WWW.CON2R.COM 503.626.6390
6590 SW FALLBROOK PLACE, BEAVERTON OR 97008