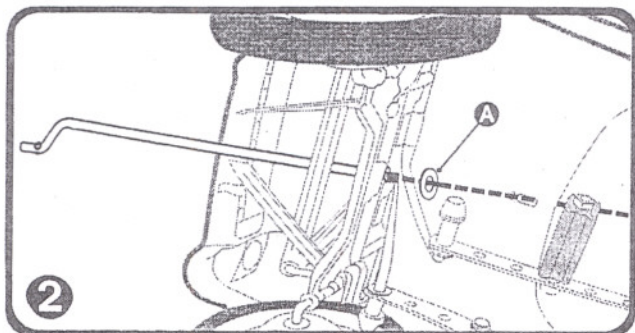
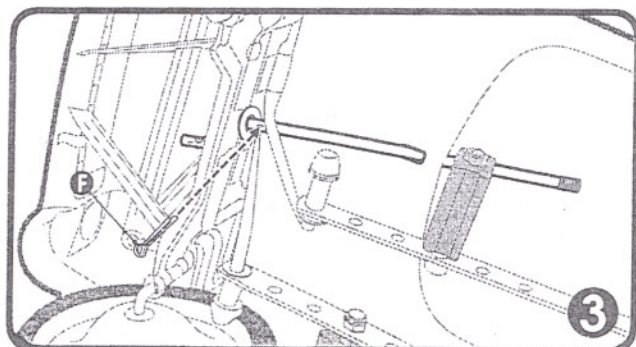


Turn the car on its right side on a soft surface to protect the finish. Partially insert the steering shaft through the hole in the front crossmember as shown in picture 1.



Put a washer on the steering shaft on the backside of the crossmember as shown in picture 2. Because of the proximity of the two pedal rods, it is easier to do this with the steering shaft just barely protruding through the crossmember.



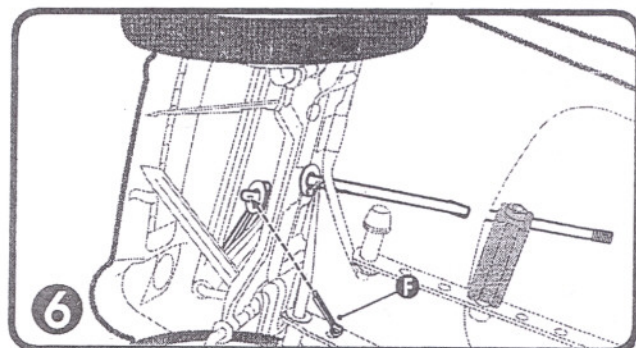
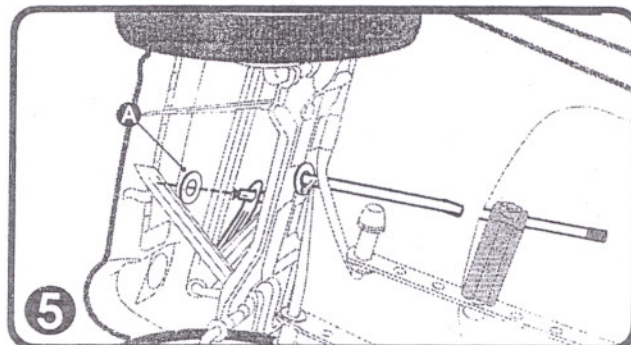
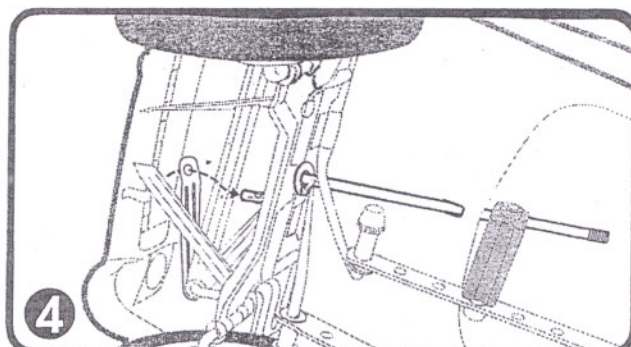
Insert the steering shaft through the cowl as shown in picture 3. With the steering shaft fully inserted, insert a cotter pin through the hole that is drilled through the steering shaft just behind the washer, and bend it around the steering shaft to secure it, as shown in picture 3.

U.S. Pedalcar, Inc.
1341 Ashover CT.
Bloomfield Hills
Michigan 48304
USA
www.uspedalcar.com

WARNING:
CHOKING HAZARD—Small parts
Not for Children under 3 years

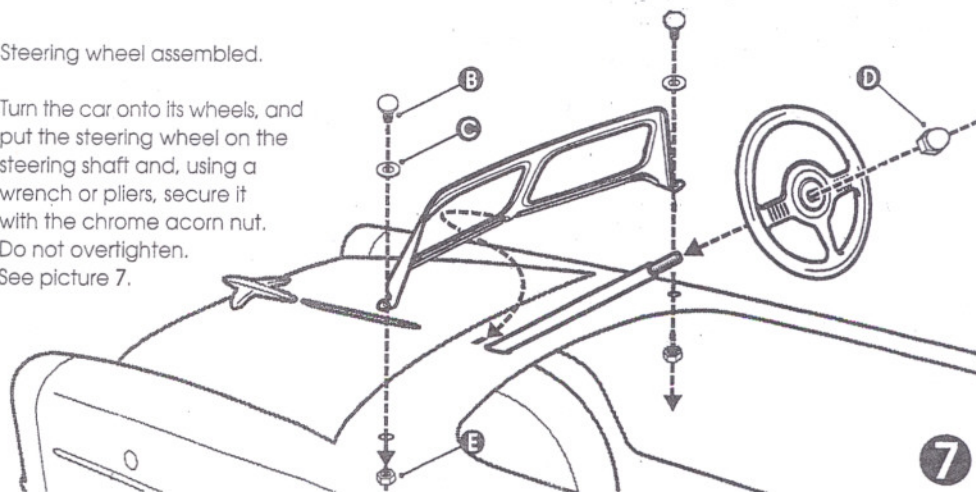
Steering wheel assembled.

Turn the car onto its wheels, and put the steering wheel on the steering shaft and, using a wrench or pliers, secure it with the chrome acorn nut. Do not overtighten. See picture 7.



Insert the lower end of the steering shaft into the short steering arm located in the front of the crossmember, and secure it with a washer and cotter pin, as shown in picture 4, 5, 6.

To install the windshield, put the center tab through the slot in the cowl, and bend it flat from underneath. Put the screws and nuts through the holes near the end of the windshield and tighten them. See picture 7.



7