

Slam Specialties

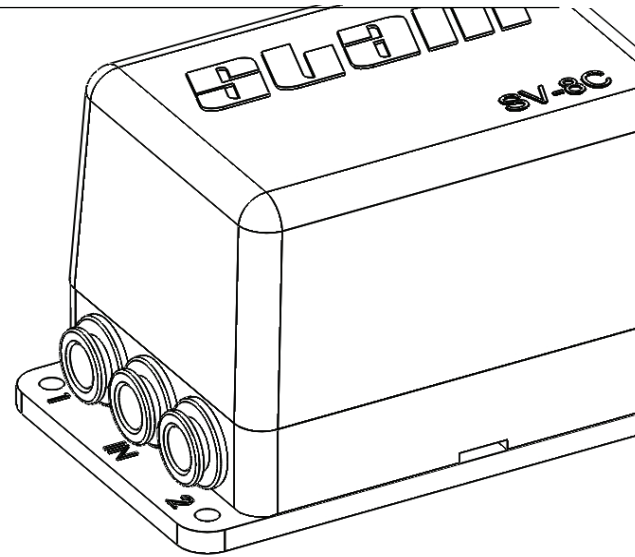
Model No. : SV-8C

Made in USA

Manifold Valves

Thank you for Purchasing the SV-8C by Slam Specialties

This instruction sheet provides mounting dimensions and wiring color codes to simplify your installation of the valve. If you have any questions or concerns, please call 888-352-5225 or e-mail sales@slamspecialties.com



Product contents:

- (1) SV-8C manifold valve
- (1) Wire harness
- (4) 1" 10-32 Stainless mounting screws
- (4) 10-32 Stainless nylock nuts
- (4) Stainless washers
- (1) 3/8" Port Plug
- (1) Red Ring Terminal
- (1) Tube Removal Tool

Wiring		
Port	Function	Wire Color
1	Fill	Red
	Exhaust	Green
2	Fill	Yellow
	Exhaust	Orange
3	Fill	Brown
	Exhaust	Blue
4	Fill	Purple
	Exhaust	White
GROUND		BLACK

Technical data:

200 PSI Max operating pressure

(6) 3/8 D.O.T. Push-to-Connect fittings

Anodized 6061-T6 Aluminum manifold

Dual Slot exhaust ports w/ integrated mufflers

Removable base plate for alternative mounting

Stainless Steel internal operators

Innovative Frame mount design

(8) 8.5w 12v DC Solenoid Coils

Harness wiring information

The SV-8c includes a short wiring harness that will plug into the connector on the valve wire and allow you to use any control system. The functions are color coded to the wiring chart above.

The black wire that is separate from the plug on the wire attached to the manifold valve is the ground wire for the valve block - this can be connected to a chassis ground, or connected to the black wire of the included harness to extend the ground to a remote location, or connection to the MC.1 controller.



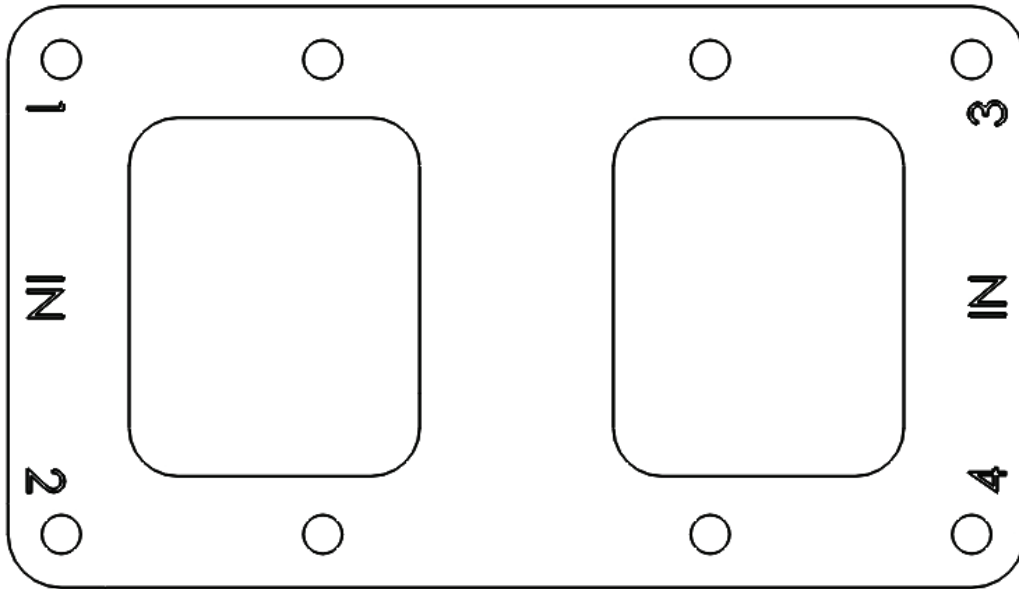
Only one inlet/tank port is required for valve to operate.
The second inlet port can be plugged with the included port plug.

SLAM SPECIALTIES

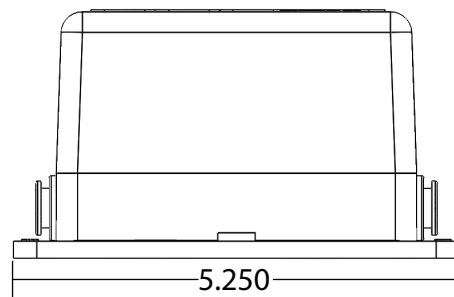
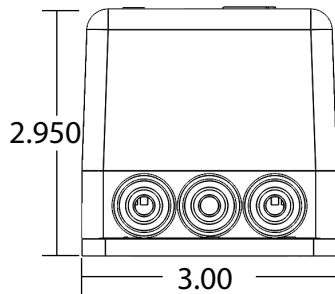
Model No. : SV-8C

Made in USA

Manifold Valves



Mounting Bracket template



dimensions in inches

