

# INSTRUCTIONS

© 2020, Speedway Motors, Inc.

**SPEEDWAY**  
motors®

## 910-92103 - Scale Storage Cart

Please read instructions completely before starting your installation!

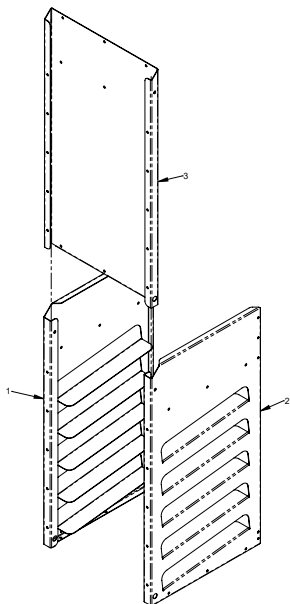
PARTS LIST		
Index No.	Description	Qty
1	Side panel, left	1
2	Side panel, right	1
3	Real panel	1
4	Upper shelf	1
5	Lower shelf	1
6	Lid	1
7	Axle shaft	1
8	1/2" flat washer	4
9	Rubber wheel	2
10	1/2"-20 nyloc nut	2
11	Handle bar	1
12	Handle bar support tubes	2
13	Quick release pin	2
14	Support frame	1
15	Handle storage channel, right	1
16	Handle storage channel, left	1
17	10-32 x 5/16" screws	32
18	10-32 x 1 1/4" screws	10
19	Rubber bumper	2
20	8mm flat washer	2
21	8mm x 1.25 hex jam nut	2
22	Hinge pin	1

Using the parts list above, double check that you received all the parts in the kit.

# INSTRUCTIONS

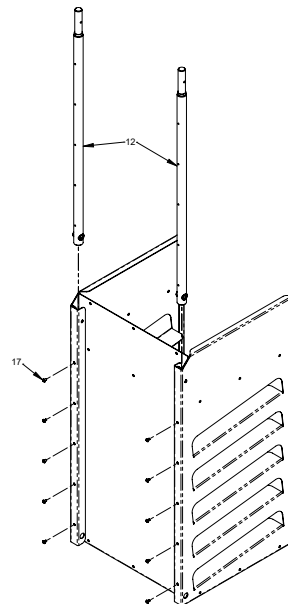
© 2020, Speedway Motors, Inc.

**SPEEDWAY**  
motors®



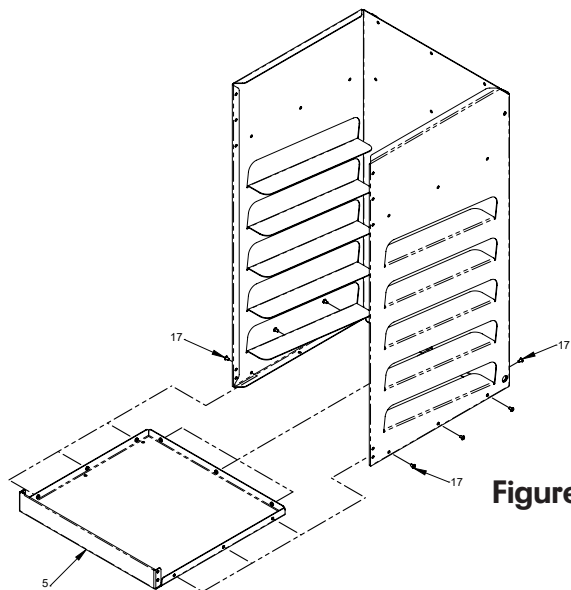
**Figure 1**

1. Lay the rear panel (#3) on a flat surface with the outer flanges facing up. Remove the four screws that retain the two handle bar support tubes (#12) and remove the tubes. Position the left and right side panels (#1 & #2) on end as shown in figure 1. Slide the rear panel (#3) into the channel of both side panels making sure the hinged end goes up.



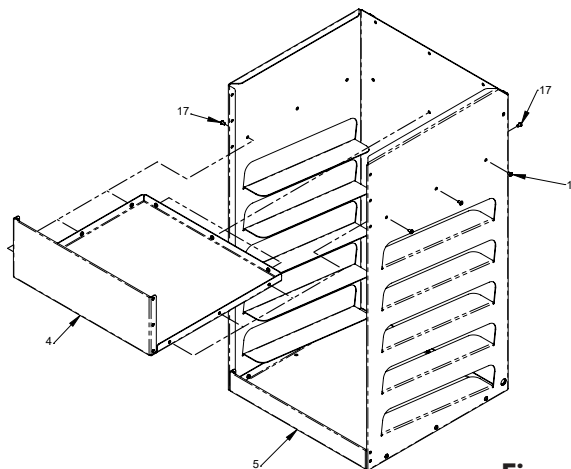
**Figure 2**

2. Slide the two long handle bar support tubes (#12) into the channel of both the right and left side panels (#1 & #2) as shown in figure 2. Making sure the axle support sleeve in the end of the tube goes down and the threaded holes are facing out. Secure the back and side panel to the handle bar support tubes with ten #10-32 x 5/16" screws (#17). Do not fully tighten.



**Figure 3**

3. Flip the assembly over onto the rear panel with the side panels facing up. Slide the lower shelf (#7) in between the side panels as shown in figure 3. Secure the side panel to the lower shelf with six #10-32 x 5/16" screws (#17). Do not fully tighten.



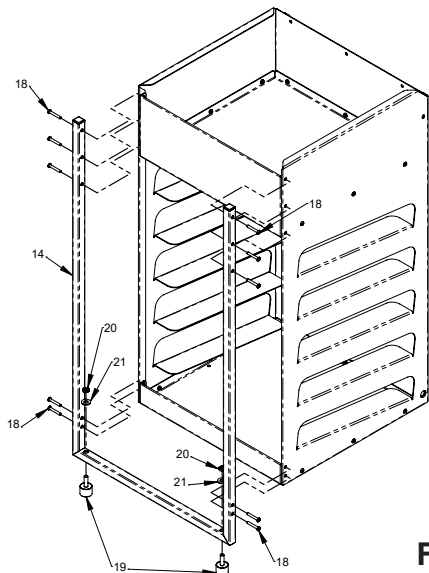
**Figure 4**

4. Slide the upper shelf (#4) in between the side panels as shown in figure #4. Secure the side panel to the lower shelf with six #10-32 x 5/16" screws (#17). Do not fully tighten. Turn the assembly over and secure the back panel to both the upper and lower shelves with six #10-32 x 5/16" screws (#17). Do not fully tighten.

# INSTRUCTIONS

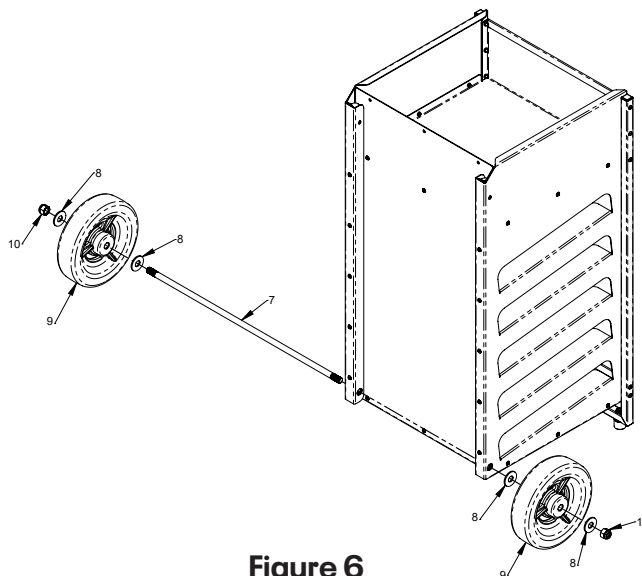
© 2020, Speedway Motors, Inc.

**SPEEDWAY**  
motors®



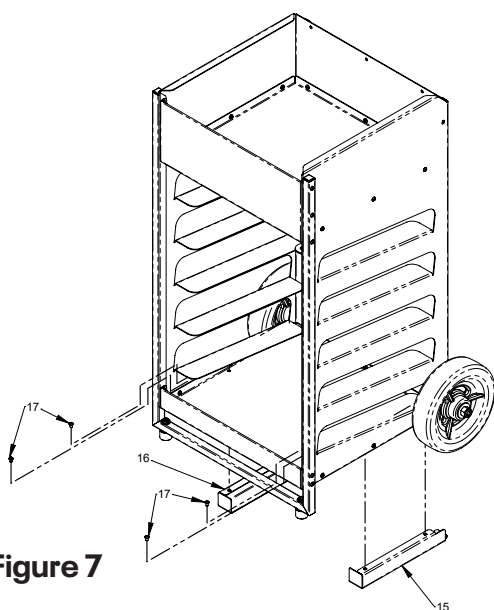
**Figure 5**

5. Flip the cart over so the bottom of the cart is pointing up. Install the two rubber bumpers (#19) into the support frame (#14) and secure with two 8mm flat washers (#20) and two 8mm x 1.25 hex jam nuts (#21) as shown in figure 5. Install the support frame #14 onto the front edge of both side panels securing with ten #10-32 x 1 1/4" screws (#18). Do not fully tighten.



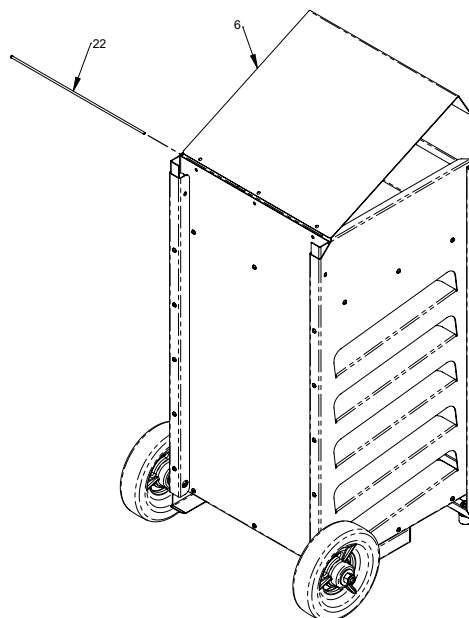
**Figure 6**

6. Slide the rear axle (#7) through the sleeves in the lower handle bar support tubes as shown in figure 6. Install one 1/2" washer (#8) onto each end of the axle followed by a rubber wheel (#9), a 1/2" flat washer (#8) and a 1/2"-20 nylock nut (#10). Do not over tighten. Make sure the wheels spin freely.



**Figure 7**

7. Install the left and right handle storage channels (#15) and (#16) to the bottom of the cart as shown in figure 7, secure with four #10-32 x 5/16" screws (#17). All the #10-32 screws in the entire cart can now be tightened being careful not to over torque them.



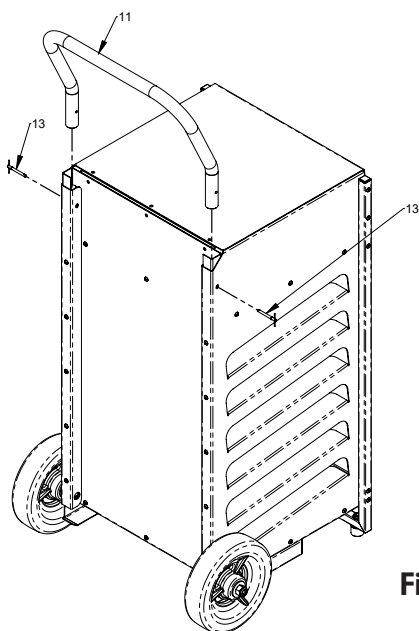
**Figure 8**

8. Remove the hinge pin (#22) from the lid (#6). Turn the cart upright and align the lid onto the top of the cart. As shown in figure 8. Attach the lid to the rear panel by driving in the hinge pin.

# INSTRUCTIONS

© 2020, Speedway Motors, Inc.

**SPEEDWAY**  
motors®



**Figure 9**

9. Install the handle (#11) into the top of the handle bar support tubes (#12) as shown in figure 9 and install the two quick release pins (#13) into the handle bar assembly.

# IMPORTANT

**DISCLAIMER** In an effort to offer our customers low prices, quick service and great value, Speedway Motors reserves the right to change suppliers, specifications, colors, prices, materials without notice. Prices and policies that were current and in effect at the time of printing are also subject to change without notice. Quantities are limited on some items. Any unauthorized use of this catalog including words, photos or drawings is prohibited. Speedway is not responsible for any typographical errors, printing errors or misinterpretations

**WARRANTY DISCLAIMER** Purchasers understand and recognize that racing parts, specialized street rod equipment, and all other parts and services sold by Speedway Motors, Inc. are exposed to many and varied conditions due to the manner in which they are installed and used. Except for certain limited warranties, if any, set forth in Speedway Motors, Inc.'s current catalog with respect to the products and/or parts thereof identified on your invoice, each product, and each part thereof, is sold "as is", and "with all faults" and Speedway Motors, Inc. makes no warranties either expressed or implied, written or oral, with regard such products and services including, without limitation, any warranty of merchantability or fitness for a particular purpose. Without limiting the foregoing, there is no warranty expressed or implied as to whether the goods sold hereby will protect purchasers or ultimate end-users of such products and parts from injury or death. In no event shall Speedway Motors, Inc. be liable for any special, incidental or consequential damages, or any other damages whatsoever arising out of or connected with the use or misuse of the products and each part thereof. Purchasers acknowledge and agree that no person, entity or agent of Speedway Motors, Inc. has any authority to make any statement contrary to this disclaimer and that any warranty statements or representations allegedly made on behalf of Speedway Motors, Inc. by any such person, entity or agent are void. Purchasers are relying solely on their own skill and judgment to select, purchase and use suitable products and assume all responsibility and risk with regard thereto. Some local laws prohibit the use of utility jugs, funnels and barrel pumps for dispensing fuel. Please check your own state for more information, regulations or further direction in your use of the utility jugs, funnels and barrel pump described in Speedway's catalogs or on Speedway Motors websites. Some parts in this catalog are not legal for sale or use in California. Items sold in this catalog are for racing vehicles which may never be used on a highway. The use of manufacturer's names and symbols are for reference purposes only.

**DAMAGE CLAIMS** Please inspect all packages upon delivery and in the presence of the delivery driver when possible. The driver must note any visible damage and provide procedures for handling damage claims. To allow for a claims process, please retain original box, packing material and damaged merchandise. Contact Speedway Motors for instructions regarding damage claim within 5 days of receipt. Speedway Motors assumes no liability after this period.

**SHORTAGES** Please check the contents of your delivery to ensure that all parts ordered are received. Refer to your invoice to cross check all items received and inspect all packing materials for contents of small items. Retain original shipping box and packing materials. Orders may be split into multiple boxes which can be delivered on different days. Contact Speedway Motors for instructions regarding shortage claim within 5 days of receipt. Speedway Motors assumes no liability after this 5 day period.

**REFUSALS** All refused packages will be billed the freight to and from the destination and refused COD orders will be billed a 15% restocking charge plus freight to and from destination.

**WARRANTY CLAIMS** If the item is used or installed and a warranty claim request is submitted, warranty work is done by the manufacturer and may take up to 30 days for processing. Speedway Motors will be required to follow the manufacturer's warranty instructions to allow for a credit refund or exchange when specified.

**RETURNS** We want you to be satisfied with your purchase. If you are not satisfied, you may return your new, unused item within 60 days for refund or exchange.

All exchanged or returned merchandise must be in original factory condition with no modifications or alterations. Returned merchandise must include original packaging materials, warranty cards, manuals, instructions, etc. If the returned item requires repackaging, your refund / exchange will be subject to a repackaging charge. Return/Exchange transactions less than \$99 are excluded from the free shipping offer.

**HOW TO RETURN AN ITEM** Please re-pack the item in a sturdy box, include a copy of your invoice and completed return form. Returns must be shipped prepaid. CODs are not accepted. Shipping costs for exchanged merchandise will be charged to your credit card.

Items that are returned after 60 days are subject to a 15% restocking charges. Fiberglass items returned will be subject to a 15% restocking charge. We are unable to accept returns on electrical parts, video tapes, DVD's, books, special order or closeout merchandise.

**BRAKE INSTALLATION ALERT** The selection and installation of brake components should only be done by personnel experienced in the proper installation and operation of braking systems. The installer must use his/her own discretion to determine the suitability of all brake components and brake kits for every particular application. Speedway Motors, Inc. makes no warranties either expressed or implied including any warranty of merchantability or fitness for a particular purpose, other than those contained in its current catalog or website with respect to the goods identified on the face of the invoice. There is no warranty expressed or implied as to whether the goods sold hereby will protect the purchaser or ultimate user of such goods from injury or death.

**EXHAUST INSTALLATION ALERT** Exhaust systems and other component surface finishes are not permanent. Coatings, paint and other factory supplied cosmetic treatments are only intended to protect from surface corrosion in an unused state. No returns are allowed after the parts have been installed. Header flanges must be clean and clear of paint and surface contaminants prior to mating to exhaust gaskets. Exhaust fasteners must be re-torqued after the initial heat cycle and regularly thereafter to ensure a proper gasket seal is maintained. Should you decide to install this exhaust product at your home, be warned that pleasure car or light duty truck/van "bumper" jacks are intended for emergency use only. The use of frame contact jack stands in conjunction with a floor jack as a main support is highly recommended to minimize accidental dropping of a vehicle while the installation proceeds. We recommend the use of a shop hoist if possible. Please use caution! Speedway Motors, Inc. makes no warranties either expressed or implied including any warranty of merchantability or fitness for a particular purpose, other than those contain in its current catalog or website with respect to the goods identified on the face of the invoice. There is no warranty expressed or implied as to whether the goods sold hereby will protect the purchaser or ultimate user of such goods from injury or death.

**CHECK LOCAL LAW** Some parts are not legal for sale or use in California on any pollution controlled motor vehicles. These items are legal in California for racing vehicles only which may never be used upon a highway. Check local law.

Find the above info on our website:

[SpeedwayMotors.com/Info/FAQ](http://SpeedwayMotors.com/Info/FAQ)

© 2020, Speedway Motors, Inc.

**Speedway Motors, Inc.**

P.O. Box 81906 • Lincoln, NE 68501

800.979.0122 • [SpeedwayMotors.com](http://SpeedwayMotors.com)

