

INSTRUCTIONS

SPEEDWAY BEAD BUSTER 910-82001

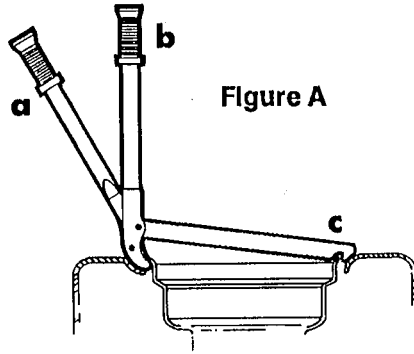


Figure A

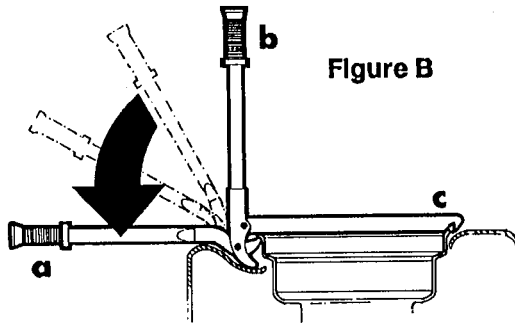


Figure B

1. Place the hook on the stabilizer bar (bar c) over the flange of wheel.
2. Place your foot on top of the hook to hold it in place and provide good balance.
3. Wedge the hook on both the leverage bar (a) and the control bar (b) between the flange of the wheel and the head of the tire (as shown in Figure A).
4. While holding control bar (b) stationary against the flange, push the leverage bar (a) down as far as possible until the bead slips away from the wheel flange (see Figure B).
5. If necessary, repeat steps 1 through 4 moving the hook on both the leverage bar (a) and the control bar (b) at 6" increments until bead completely collapses from wheel flange. NOTE: When using Speedway's Bead Buster on aluminum wheels always exercise caution. We suggest the following tip to avoid lip damage to aluminum wheels: Put the leverage bar only halfway down, then move the tool gradually around the rim continuing the pushing process until the bead slips away from the wheel.

SPEEDWAY MOTORS

Speedway Motors Inc., P.O. Box 81906
Lincoln, NE 68501 (402) 323-3200
www.speedwaymotors.com