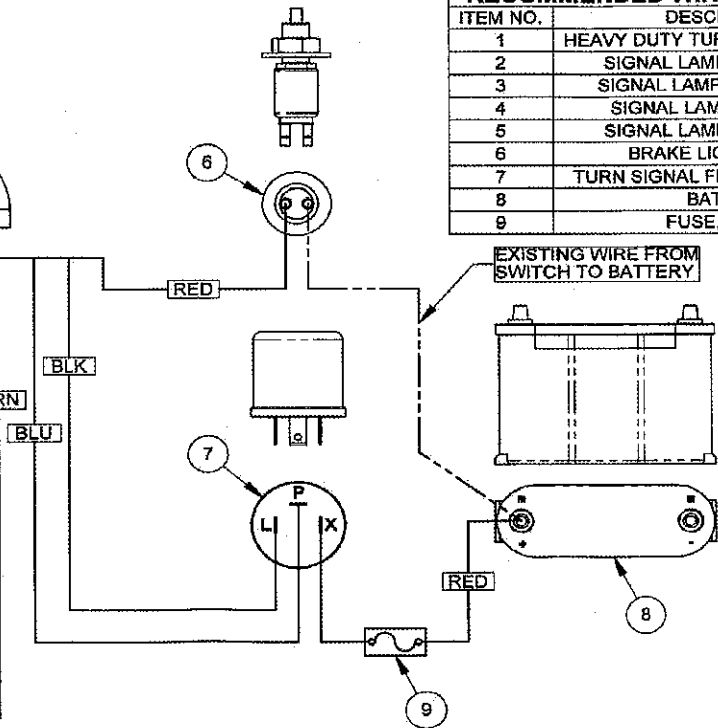
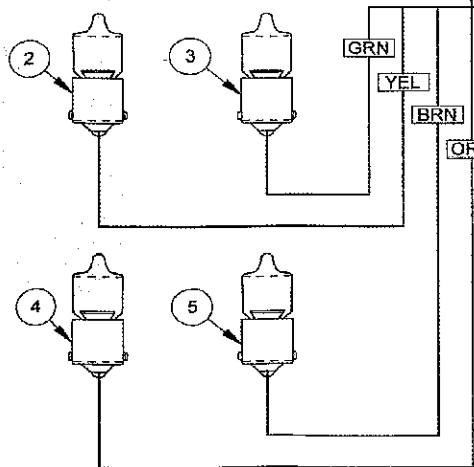
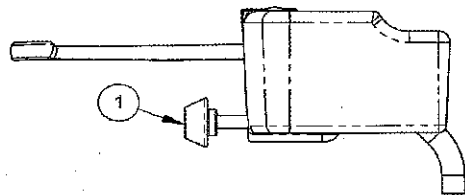
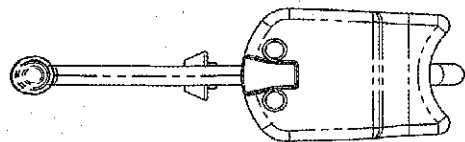


# 910-62860 TURN SIGNAL



## WIRE ROUTING SCHEMATIC

WIRE COLOR	FROM	TO
RED	TURN SIGNAL SWITCH	BRAKE LIGHT SWITCH (ITEM #6)
BLACK		FLASHER, TERMINAL "L" (ITEM #7)
BLUE		FLASHER, TERMINAL "P" (ITEM #7)
ORANGE		SIGNAL LAMP, LEFT REAR (ITEM #4)
BROWN		SIGNAL LAMP, RIGHT REAR (ITEM #5)
YELLOW		SIGNAL LAMP, LEFT FRONT (ITEM #2)
GREEN	SIGNAL LAMP, RIGHT FRONT (ITEM #3)	
RED (FUSE)	BATTERY (ITEM #8)	FLASHER, TERMINAL "X" (ITEM #7)

## RECOMMENDED WIRE SCHEMATIC

ITEM NO.	DESCRIPTION
1	HEAVY DUTY TURN SIGNAL SWITCH
2	SIGNAL LAMP, LEFT FRONT
3	SIGNAL LAMP, RIGHT FRONT
4	SIGNAL LAMP, LEFT REAR
5	SIGNAL LAMP, RIGHT REAR
6	BRAKE LIGHT SWITCH
7	TURN SIGNAL FLASHER, 3 PRONG
8	BATTERY
9	FUSE, 15 AMP