



WARNING

PLEASE READ THE ENTIRE CONTENTS OF THIS MANUAL PRIOR TO INSTALLATION AND OPERATION. BY PROCEEDING YOU AGREE THAT YOU FULLY UNDERSTAND AND COMPREHEND THE FULL CONTENTS OF THIS MANUAL. FORWARD THIS MANUAL TO ALL OPERATORS. FAILURE TO USE THIS EQUIPMENT AS DIRECTED MAY CAUSE INJURY OR DEATH.

REV B 04-01-2016
P/N 5900372

ASSEMBLY AND OPERATION MANUAL

3-Ton Professional Series Garage Floor Jacks

Model:
RFJ-3T VER A



Keep this operation manual near the machine at all times. Make sure that ALL USERS read this manual.

SHIPPING DAMAGE CLAIMS

When this equipment is shipped, title passes to the purchaser upon receipt from the carrier. Consequently, claims for the material damaged in shipment must be made by the purchaser against the transportation company at the time shipment is received.

BE SAFE

Ranger™ Floor Jacks are designed and built with safety in mind. However, proper training and thoughtful operation on the part of the user can increase your overall safety. DO NOT operate or repair this equipment without reading this manual and the important safety instructions shown inside.



1645 Lemonwood Dr.
Santa Paula, CA. 93060, USA
Tel: 1-805-933-9970
Toll Free: 1-800-253-2363
Fax: 1-805-933-9160
www.rangerproducts.com

WARRANTY POLICY

Ranger Products™ are backed by over 40 years of manufacturing experience. Every Floor Jack bearing the Ranger™ name is sold with the following warranty.

- Each Ranger Product™ is warranted to be free from defects in workmanship and material for a period of one year from the date of shipment provided that a written claim for such defect is made within that time.
- This warranty does not cover damage or defects caused by carelessness of the operator, misuse, abuse or abnormal use which in any way impairs the proper functioning of the equipment or by the use or addition of parts not manufactured by Ranger Products™ or its suppliers.

THIS WARRANTY IS EXPRESSLY MADE IN LIEU OF ANY AND ALL OTHER WARRANTIES EXPRESSED OR IMPLIED INCLUDING THE WARRANTIES OF MERCHANTABILITY AND FITNESS FOR A PARTICULAR PURPOSE.

- If your Ranger Products™ equipment is not functioning properly, call your Ranger Products™ dealer immediately. On some occasions, an independent contractor may be hired to do the repairs. Within the warranty period a customer should not hire his own contractor unless a customer is authorized in writing by Ranger Products.
- If it is necessary to return equipment for repairs, your dealer will so advise you. When returning equipment for repairs, see that machines are properly crated and protected, and prepay transportation.
- Defective parts replaced at no charge must be returned to your dealer or Ranger Products within 60 days of the date that the replacement parts are shipped; otherwise, you must pay for the replacement parts at the current selling price.

LIMITED RETURNS / EXCHANGE POLICY

BendPak / Ranger prides itself on a tradition of outstanding customer care and support. Our devoted team of account representatives understands that our customers are the hallmark of our enduring partnerships.

Our limited return and exchange policy allows you to return defective or incorrect merchandise for a full or partial credit of your order. All returned merchandise requires authorization. Contact our service agents first for shipping instructions and to obtain a return authorization number. Credit will not be issued unless authorization to return merchandise has been received.

For all merchandise returned to BendPak / Ranger for reasons other than warranty, a 20% restocking fee and round-trip shipping costs will be deducted from the credit refund. All returned items must be in their original box or crating and must include all packing material, manuals and all accessories. At our discretion, a restocking fee may be charged if your product is opened or is not returned in its original condition, box, or is missing packing material, manuals, or any accessories.

NO RETURNS, CREDITS OR EXCHANGES FOR:

- Returned items that failed due to an accident, purchaser's abuse, neglect or failure to operate in accordance with instructions provided in the owner's manual(s) supplied.
- Returned items that failed due to incorrect voltage or improper wiring.
- Returned items that failed due to rain, excessive humidity, corrosive environments or other contaminants.
- Any item damaged in shipment or any product failure caused by installing or operating product under conditions not in accordance with installation and operation guidelines or damaged by contact with tools or surroundings.
- Returned items with cosmetic defects that do not interfere with product functionality.
- Returned items with no accompanying RMA number and completed RMA form.
- Returned items that are incomplete or defaced.
- Any consumable or standard wear items.
- Returned items with a different serial number from what was authorized for return.
- Returned items that do not include your original receipt, invoice or sales order.
- Returned items that were special ordered or custom configured.
- Freight damaged items. If your shipment arrives damaged you must note the damage on the carrier's delivery record in accordance with the carrier's policy, save the merchandise in the original box and packing it arrived in, and arrange for a carrier inspection of damaged merchandise.

FOR TECHNICAL SUPPORT:
1-800-253-2363 EXT. 196

TO ORDER PARTS:
1-800-253-2363 EXT. 191



BENDPAK/RANGER: 1-805-933-9970

UPON DELIVERY

- Carefully remove all packaging material.
- Inspect the equipment and all parts for any signs of concealed shipment or storage damages.
- Remember to report any shipping damage to the carrier and make a notation on the delivery receipt.



IMPORTANT SAFETY TIPS

- Be sure to read all warning labels and the instruction manual prior to operation of this equipment.
- Keep hands and body clear of all pinch points.
- Use the jack for loading under-rated capacity only. **DO NOT** over load.
- Ensure the jack is set on a solid and level surface.
- Support the load with jack stands after the load is raised to the desired level, before getting under the load.
- Center the load on the jack saddle properly. An off centered load may damage the seals and result in jack failure.
- Lift only dead weight. Always set the hand brake and block the wheels of the vehicle.
- This jack is to be used by professional personnel only. In order to avoid a dangerous situation, please ensure that non professional personnel and specially **CHILDREN DO NOT USE THIS JACK** under any circumstances.



THIS IS A LIFTING DEVICE ONLY. DO NOT MOVE OR DOLLY THE VEHICLE WHILE ON THE JACK. IMMEDIATELY AFTER LIFTING, SUPPORT THE VEHICLE WITH APPROPRIATE MEANS.

DO NOT EXCEED RATED CAPACITY. OVERLOADING CAN CAUSE DAMAGE TO OR FAILURE OF THE JACK.



LIFT ONLY ON AREAS OF THE VEHICLE AS SPECIFIED BY THE VEHICLE MANUFACTURER.

KEEP HANDS AND BODY CLEAR OF ALL PINCH POINTS.

CENTER LOAD ON SADDLE PRIOR TO LIFTING. OFF-CENTER LOADS MAY CAUSE DAMAGE TO JACK, LOSS OF LOAD, PROPERTY DAMAGE, PERSONAL OR FATAL INJURY.

THIS JACK IS DESIGNED FOR USE ONLY ON HARD LEVEL SURFACES CAPABLE OF SUSTAINING THE LOAD. USE ON OTHER THAN HARD LEVEL SURFACES CAN RESULT IN JACK INSTABILITY AND POSSIBLE LOSS OF LOAD.

NO ALTERATIONS TO THE JACK SHALL BE MADE.

READ, STUDY AND UNDERSTAND THE OPERATING MANUAL PACKED WITH THIS JACK BEFORE OPERATING.

FAILURE TO HEED THESE WARNINGS MAY RESULT IN LOSS OF LOAD, DAMAGE TO JACK, AND/OR FAILURE RESULTING IN PROPERTY DAMAGE, PERSONAL OR FATAL INJURY.

ASSEMBLY INSTRUCTIONS

1. Insert handle assembly into Handle Socket and tighten Bolt.

OPERATING INSTRUCTIONS

BEFORE USE:

1. Air may become trapped in the hydraulic system during transit. To purge air:
2. Open release valve by pulling outward on the handle and turning counter clockwise.
3. Pump Handle rapidly 6-8 strokes. This will expel air that may have entered oil passages during transit.
4. Close release valve by twisting Handle clockwise and pump handle.
5. If lift arm is raised, jack is ready for use. If not, just repeat this procedure.



BEFORE ATTEMPTING TO RAISE ANY VEHICLE, CHECK VEHICLE SERVICE MANUAL FOR RECOMMENDED LIFTING POINTS.

OPERATION:

- To Raise Load:** Close release valve tightly by twisting Handle clockwise. **DO NOT OVERTIGHTEN.** Position jack under load so that saddle will contact load firmly and load is centered so it cannot slip. Operate jack handle until saddle approaches the load. Once again, check to see that saddle is correctly positioned. Raise load to desired height. Place jack stands of appropriate capacity under the vehicle.



DO NOT CRAWL UNDER VEHICLE WHILE LIFTING VEHICLE OR PLACING OR REMOVING JACK STANDS!

- Place jack stands at vehicle manufacturer’s recommended lift areas that provide stable support for the raised Vehicle. Once jack stands are positioned, open the release valve **VERY SLOWLY** (by twisting the Handle counter clockwise.)

Lower the load to rest on the jack stands. Then, make sure that the release valve on the jack is closed tightly (twist the Handle clockwise).

- To lower load:** Re-check to make sure release valve is tightly closed (twist the Handle clockwise). Then, operate the jack handle until the load is raised enough to remove the jack stands.



Once jack stands are removed, open release valve very slowly to lower the vehicle (twist the Handle counter clockwise). Lower jack completely so that the vehicle is securely resting on the ground and that jack no longer makes contact with vehicle.



Keep hands or feet away from the hinge mechanism of the jack.

MAINTENANCE

When adding or replacing hydraulic fluid, always use a quality hydraulic fluid. **DO NOT** use brake fluid, alcohol, detergent motor oil, dirty oil or any fluid other than quality hydraulic fluid. Improper fluids can cause internal damage to the jack and improper or unsafe operation.

ADDING HYDRAULIC FLUID

With the saddle fully lowered and the jack on level ground, remove the filler screw. Hydraulic fluid should be filled to the level of the filler screw hole. If the level is below this hole, add hydraulic fluid as needed.

LUBRICATION

All moving joints require lubrication often. Lightly grease saddle post and saddle bottom. Remove handle and grease the lower end of handle where it rotates in the handle socket. Oil all lift arm linkages, front wheels and rear casters.

TROUBLESHOOTING

PROBLEM	ACTION
1. Unit will not lift load	Purge air from hydraulic system by following procedure under OPERATING INSTRUCTIONS, page 4.
2. Unit will not sustain load or feels “spongy” under load.	Purge air from hydraulic system as above.
3. Unit will not lift to full height.	Check the oil level and verify it is not too low.
4. Unit will not lower completely.	Check the oil level and verify it is not too high.
5. Handle tends to raise up while the unit is under load.	Pump the handle rapidly several times to push oil past ball valves in pump.
6. Unit still does not operate.	Contact Parts & Warranty Department.

FEATURES

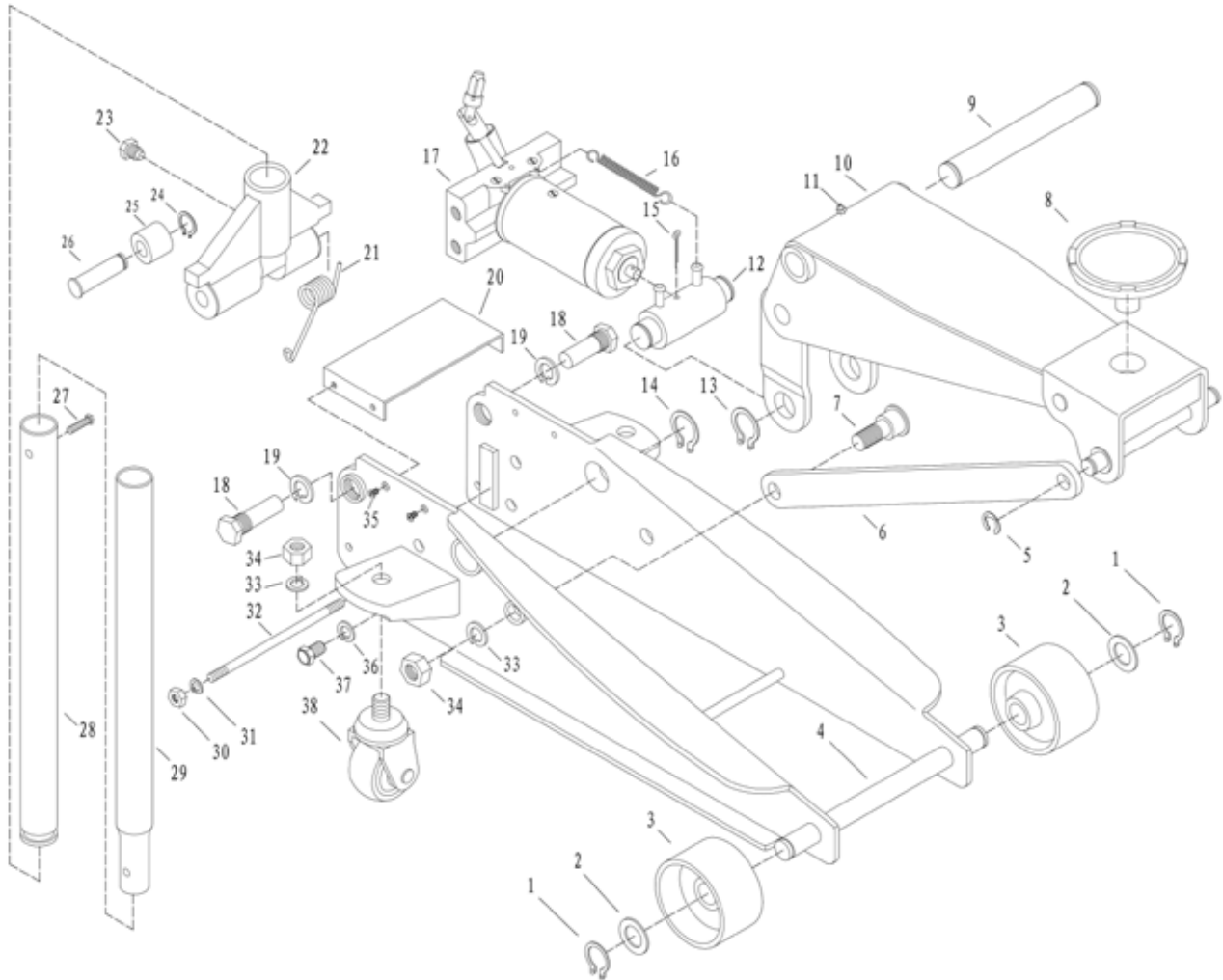
- Alloy-plated ram
- Welded lift arm assembly
- Heavy gauge steel construction
- Swivel Casters for easy mobility
- Professional model designed for heavy use
- Heavy steel construction for maximum durability
- Sealed hydraulics prevents contamination
- Built-in safety overload system



RFJ-3T SPECIFICATIONS

Maximum Capacity	6,000 lbs / 2722 kg.
Lowered Pad Height	5-1/4" / 133 mm
Raised Height	20" / 515 mm
Front Overall Width	10-1/2" / 267 mm
Rear Overall Width	13.5" / 343 mm
Chassis Length	26" / 660 mm

RFJ-3T PARTS BREAKDOWN



No.	Description	Qty
1	Retaining Ring 20	2
2	Washer	2
3	Wheel	2
4	Frame Base	1
5	Retaining Ring 15	2
6	Rod Link	2
7	Joint Bolt	2
8	Saddle	1
9	Shaft	1
10	Arm Assembly	1
11	Grease Fitting	1
12	Joint	1
13	Retaining Ring 25	2
14	Retaining Ring 30	2
15	Cotter Pin 4*55	1
16	Spring	2
17	Power Unit Assembly	1
18	Screw	2
19	Washer	2

No.	Description	Qty
20	Cover Plate	1
21	Torsion Spring	1
22	Handle Socket	1
23	Positioning Screw	1
24	Retaining Ring 12	1
25	Roller	1
26	Pin	1
27	Screw	1
28	Handle, UPPER	1
29	Handle, LOWER	1
30	Nut M10	2
31	Washer 10	2
32	Rear Shaft	1
33	Washer 16	4
34	Nut M16	4
35	Screw M5	4
36	Washer 12	4
37	Screw M12*22	4
38	Rear Caster Assembly	2



1645 Lemonwood Dr. ● Santa Paula, CA. 93060, USA
Toll Free: 1(800) 253-2363

FOR TECHNICAL SUPPORT
1-(800) 253-2363 Ext. 196
TO ORDER PARTS
1-(800) 253-2363 Ext. 191