



Part#416474

Enclosed:

QuickTrick Steering Wheel Holder



- **Features:**

Material: Iron, Plastic
Color: Red + Silver
Size: Base:4.5"
Width:6.1"
Height:14.4"

- Plastic Base diameter: 4.5"; Height:14.5".
- Pressing the locking switch can adjust the height with a loaded spring to fit a wide variety of cars, trucks etc.
- The item of the base is plastic plate
- Hook are smooth to prevent damage to the steering wheel or seat cover.

1.INTRODUCTION

The purpose of this manual is to provide safe and practical instructions for and maintenance operation of the Steering wheel Holder.

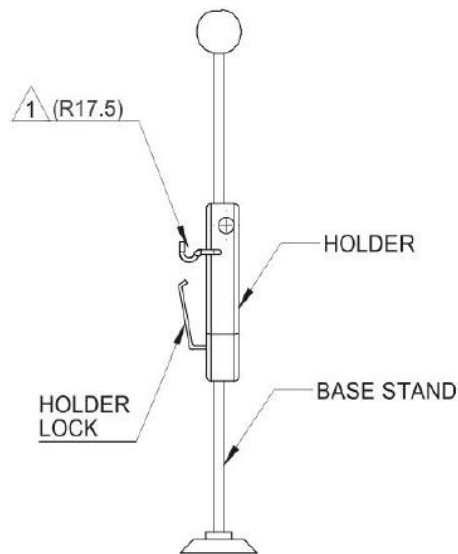
1.1 WARNING

This steering wheel Holder is designed for **INDOOR USE ONLY**. Exposure to damp or wet locations can cause damage to the Holder's components or injury to the user and will void warranty.

Read this manual carefully before using the holder. Save this manual, and all supplied illustrative material, where it is readily accessible for reference by operators.

2.USER GUIDE

The steering wheel holder is used to hold the steering wheel in a fixed position. To be installed at the very beginning of the wheel alignment adjustment procedure as specified in each section.



The steering wheel holder holds the steering wheel in position and locks the wheels.

1. Place the steering wheel holder on the seat and turn the RED knob,press the holder lock,move freely in base s adjust the holder in base stand at desired height.
2. Slide the arms downwards against the seat.
3. Lock the knob so that pressure is exerted on the steering wheel.
4. Remove in the reverse order.

3.INSPECTION, MAINTENANCE & CLEANING

1. Before each use, inspect the general condition of the STEERING WHEEL HOLDER. Check for RED knob, Holder lock, Base, broken parts, and any other condition that may affect their operation. If a problem exists, immediately discontinue using the steering wheel holder. DO NOT USE DAMAGED EQUIPMENT.
2. Keep away from high temperature ,make sure the steering wheel holder are positioned on a dry place.
3. Once clean, lubricate all moving parts with a light oil.

This holder is extremely user friendly and is a simple, efficient solution. If you have any questions, please let us know.