

# INSTRUCTIONS

910-49800

©Speedway Motors, Inc. May 2011

## Bolt-on Rear Panhard Bar

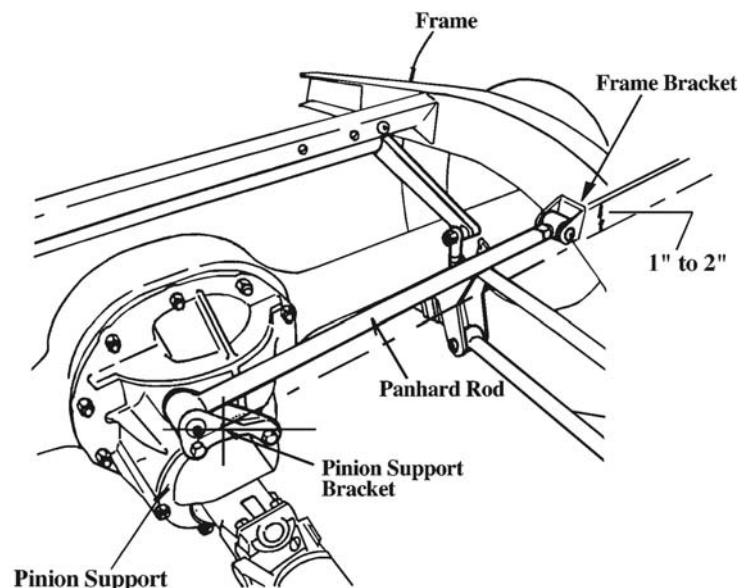
This bolt on rear panhard bar is designed to fit both 8" and 9" Ford rear ends.

### PLEASE READ INSTRUCTIONS COMPETELY BEFORE STARTING YOUR INSTALLATION

1. Locate the upper two bolts on the pinion support and remove them.
2. Assemble the two brackets together as shown on the illustration and bolt the brackets to the pinion support with the two 3/8"-16 x 1-1/2" bolts.
3. Install the nonadjustable end of the bar to the pinion mounted bracket with one of the 1/2"-20 x 2-1/2" button head bolts and nylock nuts.
4. Install the frame mounting bracket onto the adjustable end of the bar with the 1/2"-20 x 2-1/2" button head bolt and nylock nut.
5. If your frame rail is not boxed a small boxing plate may need to be installed to attach the frame bracket to. With your rear suspension set at normal ride height. Tack weld the frame mounting bracket to the frame. The frame bracket should be mounted 1"-2" above the centerline of the pinion support bracket. Check for floor clearance at full suspension travel and finish welding bracket in place.
6. Adjust the panhard bar to center the housing and tighten all the bolts.

Torque the 3/8"-16 x 1-1/2" pinion mounting bolts to 30 ft. lbs.

Torque the 1/2"-20 x 2-1/2" button head bolts and nylock nuts to 90 ft. lbs.



# IMPORTANT

## **DISCLAIMER**

In an effort to offer our customers the low prices, quick service and great value, Speedway Motors reserves the right to change suppliers, specifications, colors, prices, materials. Each of the previous items is subject to change without notice. Speedway is not responsible for any typographical errors or misinterpretations. Quantities are limited on some items.

## **WARRANTY DISCLAIMER**

The purchaser understands and recognizes that racing parts, specialized street rod equipment, and all parts and services sold by Speedway Motors, Inc. are exposed to many and varied conditions due to the manner in which they are installed and used. Speedway Motors, Inc. makes no warranties, either express or implied, including any warranty of merchantability or fitness for a particular purpose other than those contained in its current catalog with respect to the goods identified on the face of the invoice. There is no warranty expressed or implied as to whether the goods sold hereby will protect purchaser or ultimate user of such goods from injury or death. Speedway Motors assumes no liability after this period.

## **BRAKE INSTALLATION ALERT**

**The selection and installation of brake components should only be done by personnel experienced in the proper installation and operation of braking systems. The installer must use his/her own discretion to determine the suitability of all brake components and brake kits for every particular application. Speedway Motors, Inc. makes no warranties either expressed or implied including any warranty of merchantability or fitness for a particular purpose, other than those contained in its current catalog or website with respect to the goods identified on the face of the invoice, There is no warranty expressed or implied as to whether the goods sold hereby will protect the purchaser or ultimate user of such goods from injury or death.**

## **DAMAGE CLAIMS**

Always inspect your package upon delivery. Inspect all packages in the presence of the delivery driver. The driver must note any damage. Ask the driver the Carrier's procedures for handling damage claims. You must hold the original box, packing material and damaged merchandise for inspection or the carrier will not honor the claim. Notify Speedway Motors customer service department for instructions on returning damaged goods. Speedway is not responsible if no notification is given within 5 days of receipt.

## **SHORTAGES**

Always check the contents of your delivery to insure all the parts that you ordered were received. Please read the invoice. Double check all packing materials, small items may be wrapped inside with these products. Shortages may occur from damage to the box, so save all packing materials. Inspect the box for holes that would allow parts to fall out. If you are missing any item(s) be sure to check your invoice for back orders or canceled items before calling the customer service department. If Speedway has to split a shipment into multiple boxes, packages may be delivered on different days. You need to contact the customer service department within 5 days of delivery to assure the prompt replacement. Speedway Motors assumes no liability after this period.

## **REFUSALS**

All refused COD customers will be billed a 15% restocking charge plus freight to and from the destination! If you have questions please contact Speedway's customer service department.

## **WARRANTY CLAIMS**

If an item has a manufacturer's warranty as being free from defects we will exchange only. If the item has been used and you are requesting warranty work, this may take up to 30 days as warranty work is done by the manufacturer NOT Speedway Motors. If you have any questions please contact customer service.

## **RETURNS**

Speedway wants you to be satisfied with your purchase. If within 30 days after you receive your shipment you are not satisfied, you may return the item for refund or exchange. All exchanged or returned merchandise must be in original factory condition with no modifications or alterations. Returned merchandise must include all packaging materials, warranty cards, manuals, and accessories. If the items being returned need to be repackaged there will be a re-packing charge. Re-pack the item in a sturdy box and include a copy of your invoice and complete the form on the back of the invoice. You must ship orders back **PRE-PAID. WE DO NOT ACCEPT COD SHIPMENTS.** All exchanges need to have reshipping charges included. Items that are returned after 30 days are subject to 15% restocking charges. All fiberglass returned will have 15% restocking charge. No returns on electrical parts, video tapes, and books. Absolutely no returns on special order or close out merchandise.

## **FREE CATALOGS**

Speedway Motors offers FREE catalogs for Race, Street, Sprint and Midget, and T-bucket.

Some items are not legal for sale or use in California on pollution controlled motor vehicles. These items are legal in California for racing vehicles only which may never be used upon a highway.

**Speedway Motors Inc.,  
P.O. Box 81906 Lincoln, NE 68501  
402-323-3200 [SpeedwayMotors.com](http://SpeedwayMotors.com)**

