

INSTRUCTIONS

11" '76-'80 DODGE ASPEN ROTOR/'69-'77 GM INTERMEDIATE CALIPERS TO FIT '37-'48 FORD SPINDLES

910-31940
COMPLETE BRAKE
KIT-CAD PLATED

916-31921
BASIC KIT-CAD PLATED

916-31922
BASIC KIT-CHROME PLATED

PLEASE READ INSTRUCTIONS COMPLETELY BEFORE STARTING YOUR INSTALLATION!

This disc brake kit allows you to use install 76-80 Dodge Aspen rotors and 69-77 GM mid size calipers on your 37-48 Ford spindles.

NOTE: NOT FOR USE WITH BOLT ON STEERING ARMS.

Parts List

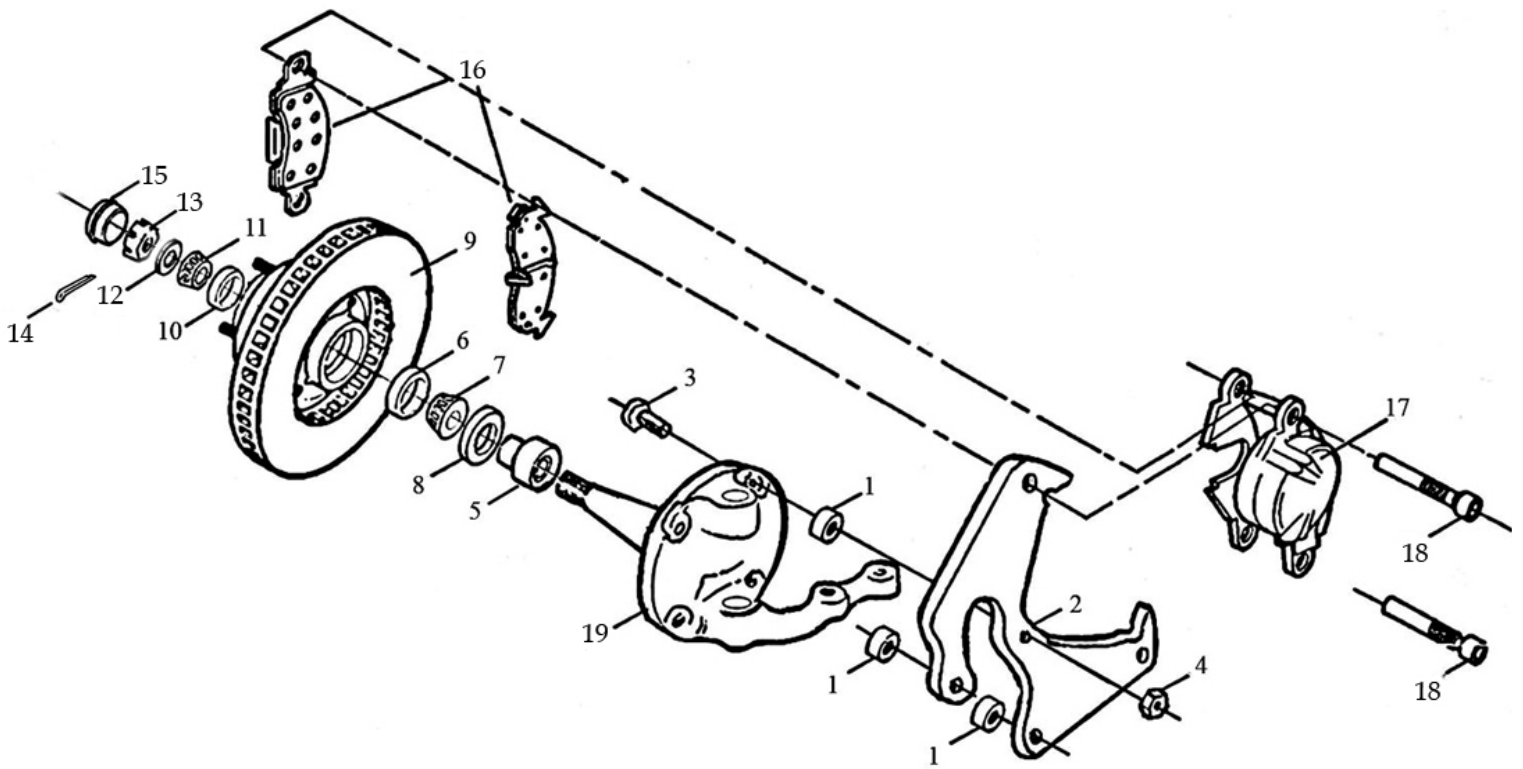
Index No.	Description	Part Number	Qty
*	Hardware kit	916-31901-4	1
1	Bracket spacers	In hardware kit	6
2*	Caliper mounting brackets (cad plated)	916-31901-1-ZINK	2
2*	Caliper mounting brackets (chrome)	916-31901-2	2
3	1/2"-20 x 1 1/4" GR 8 bolts	In hardware kit	6
4	1/2"-20 self locking nuts	In hardware kit	6
5	Bearing adapter	910-09301	2
6	Inner bearing cup	912-TL68111	2
7	Inner bearing cone	912-TL68149	2
8*	Grease seal	916-31921-1	2
9	11" Mopar rotors	910-31065	2
10	Outer bearing cup	912-TLM11910	2
11	Outer bearing cone	912-TLM11949	2
**	Spindle nut kit	910-616004	1
12	Spindle washer	In spindle nut kit	2
13	Spindle nut	In spindle nut kit	2
14	Cotter pin	In spindle nut kit	2
15**	Dust cap (pr)	550-2490	1
16	Brake pads '73-'77 GM (set)	919-3382	1
17	Calipers '73-'77 Intermediate GM-Right	910-31035-R	1
17	Calipers '73-'77 Intermediate GM-Left	910-31035-L	1
18	Caliper bolts	835-2300542	4
19**	Spindle (pr)	916-32104	1
Other parts needed			
**	16" Stainless steel brake line kit, 7/16-20 thread	617-8562	1

* Basic kit parts only
** Not included

Speedway Motors Inc., P.O. Box 81906
Lincoln, NE 68501 (402) 323-3200
www.speedwaymotors.com



©2006 Speedway Motors, inc.



1. Using the parts list supplied, double check that you received all the parts in this kit. If there are any missing parts, please contact the customer service department.
2. We recommend the use of all new or remanufactured components for this installation. If you are using any used components, it is the installers responsibly to determine the acceptably of the parts.
3. Carefully press the bearing adaptor (#5) onto the spindle, making sure the flanged side goes toward the spindle. Make sure the adaptor is fully seated against the spindle. We recommend using a hydraulic press for pressing on the bearing adaptor. Or the adapter can be heated at 400° for 20 minutes then slide onto the spindle, allow to cool slowly at room temperature.
4. Bolt the caliper bracket (#2) to the spindle (#19), it mounts to back side of the spindle from the axle side and the caliper mounts to the rear. Install the 1/2"-20 x 1 1/4" mounting bolts (#3) from the rotor side of the spindle. Install the .120 thick spacers (#1) supplied between the spindle and the caliper bracket. Install the 1/2"-20 locking nuts (#4) and torque them to 38-57 ft. lbs. making sure you use loctite on the threads.
5. Pack and install the inner bearing (#6) with fresh disc brake bearing grease, and install the grease seal (#8). Seals must be installed straight; we recommend a seal installation tool for this installation.
6. Install the rotor (#9) on to the spindle, pack and install the outer bearing (#11). Install the spindle washer (#12) and spindle nut (#13). Adjust the bearing preload as normal. Install the cotter pin (#14) and dust cap (#15).
7. Install the brake pads (#16) into the calipers (#17) and install the calipers onto the caliper brackets (#1) with the bleeders pointing up. Only use the correct GM mounting bolts (#17).
8. Install new brake lines making sure you check that the lines have clearance through the entire suspension travel and turning radius. Bleed the system as normal.

NOTE: Some wheels will not clear the snout on the rotors. If necessary the rotor can be machined for clearance. Some brands of wheels may interfere with the top of the caliper. If necessary you can grind a small amount of material off the top of the caliper, at the point of contact.

IMPORTANT

DISCLAIMER In an effort to offer our customers the low prices, quick service and great value, Speedway Motors reserves the right to change suppliers, specifications, colors, prices, materials. Each of the previous items is subject to change without notice. Speedway is not responsible for any typographical errors or misinterpretations. Quantities are limited on some items.

WARRANTY DISCLAIMER The purchaser understands and recognizes that racing parts, specialized street rod equipment, and all parts and services sold by Speedway Motors, Inc. are exposed to many and varied conditions due to the manner in which they are installed and used. Speedway Motors, Inc. makes no warranties, either express or implied, including any warranty of merchantability or fitness for a particular purpose other than those contained in its current catalog with respect to the goods identified on the face of the invoice. There is no warranty expressed or implied as to whether the goods sold hereby will protect purchaser or ultimate user of such goods from injury or death. Speedway Motors assumes no liability after this period.

DAMAGE CLAIMS Always inspect your package upon delivery. Inspect all packages in the presence of the delivery driver. The driver must note any damage. Ask the driver the Carrier's procedures for handling damage claims. You must hold the original box, packing material and damaged merchandise for inspection or the carrier will not honor the claim. Notify Speedway Motors customer service department for instructions on returning damaged goods. Speedway is not responsible if no notification is given within 5 days of receipt.

SHORTAGES Always check the contents of your delivery to insure all the parts that you ordered were received. Please read the invoice. Double check all packing materials, small items may be wrapped inside with these products. Shortages may occur from damage to the box, so save all packing materials. Inspect the box for holes that would allow parts to fall out. If you are missing any item(s) be sure to check your invoice for back orders or canceled items before calling the customer service department. If Speedway has to split a shipment into multiple boxes, packages may be delivered on different days. You need to contact the customer service department within 5 days of delivery to assure the prompt replacement. Speedway Motors assumes no liability after this period.

REFUSALS All refused COD customers will be billed a 15% restocking charge plus freight to and from the destination! If you have questions please contact Speedway's customer service department.

WARRANTY CLAIMS If an item has a manufacturer's warranty as being free from defects we will exchange only. If the item has been used and you are requesting warranty work, this may take up to 30 days as warranty work is done by the manufacturer NOT Speedway Motors. If you have any questions please contact customer service.

RETURNS Speedway wants you to be satisfied with your purchase. If within 30 days after you receive your shipment you are not satisfied, you may return the item for refund or exchange. All exchanged or returned merchandise must be in original factory condition with no modifications or alterations. Returned merchandise must include all packaging materials, warranty cards, manuals, and accessories. If the items being returned need to be repackaged there will be a re-packing charge. Re-pack the item in a sturdy box and include a copy of your invoice and complete the form on the back of the invoice. You must ship orders back **PRE-PAID. WE DO NOT ACCEPT COD SHIPMENTS.** All exchanges need to have reshipping charges included. Items that are returned after 30 days are subject to 15% restocking charges. All fiberglass returned will have 15% restocking charge. No returns on electrical parts, video tapes, and books. Absolutely no returns on special order or close out merchandise.

FREE CATALOGS Speedway Motors offers FREE catalogs for Race, Street, Sprint and Midget, Sport Compact and Pedal Car restoration.

**Some items are not legal for sale or use in California on pollution controlled motor vehicles. These items are legal in California for racing vehicles only which may never be used upon a highway.

Speedway Motors Inc., P.O. Box 81906
Lincoln, NE 68501 (402) 323-3200
www.speedwaymotors.com



©Speedway Motors, Inc. 2007