



# GP 320 CALIPER

## Caliper Highlights:

The **GP 320** billet caliper has been FEA developed and fully CNC machined. This yields the highest possible clamping efficiency without deflection while providing balanced pad loading, all from a compact, lightweight four piston design.

Corrosion free 1.25" diameter stainless pistons resist heat transfer from the pads to reduce thermal distortion in the piston bores, extend seal life, and reduce fluid temperatures to help prevent heat generated pedal fade.

Quick-Clip pad retainers allow fast service of the top loaded pads

3.50" centered mount is easily adapted to common brackets provided by the spindle manufacturers.

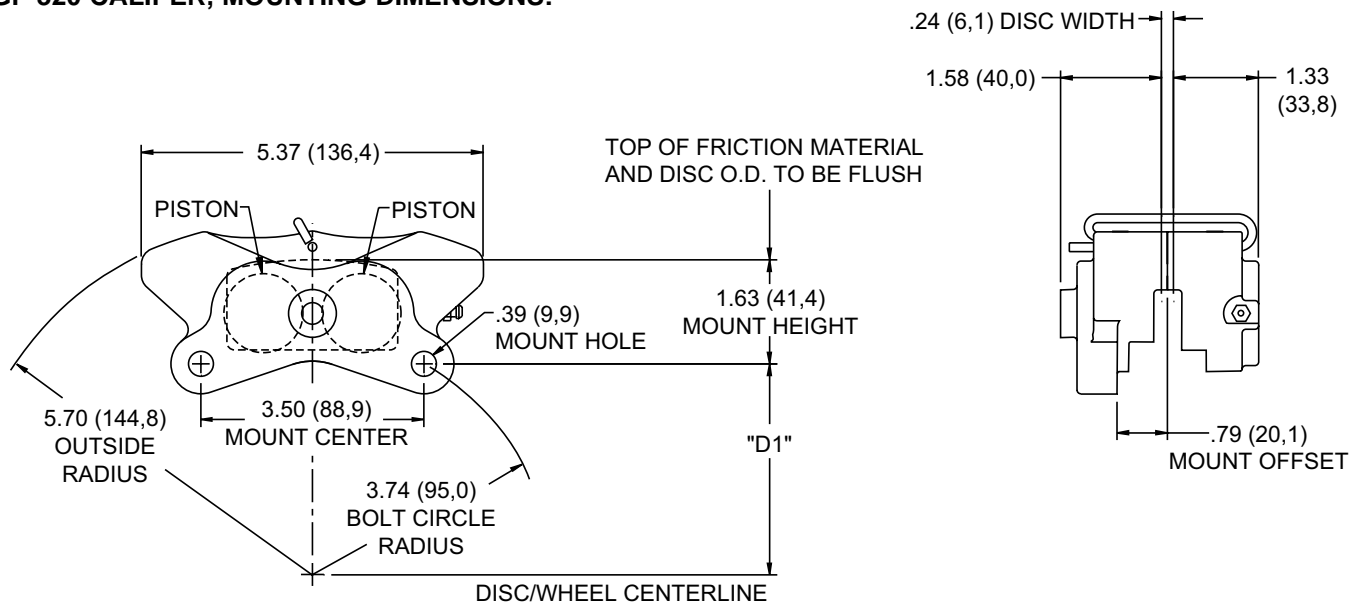
PolyMatrix "H" compound brake pads compliment this caliper and have a smooth, predictable engagement at all temperatures with continued positive response as pedal pressure is increased or brake temperatures rise. These pads yield a long wear rate and are fade resistance to over 1,300° F.



## ORDERING INFORMATION:

BORE SIZE		DISC WIDTH		PART NUMBER
1.25"	31,8 mm	.24"	6,1 mm	120-8524
1.25"	31,8 mm	.24"	6,1 mm	120-8525

**GP 320 CALIPER, MOUNTING DIMENSIONS:**

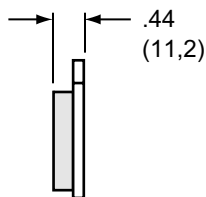
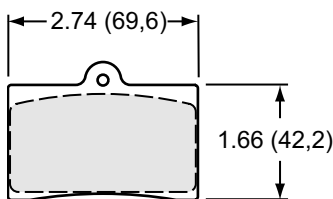


DIMENSION "D1" =  
(DISC DIAMETER/2) - 1.63 (41,4)

INLET FITTING: 1/8-27 NPT

DISC  
DIAMETER  
9.88 (251,0)

**GP 320 CALIPER, TYPE 6211 PAD DIMENSIONS AND ORDERING INFORMATION:**



**AXLE SET PART NO.**  
15H- 8596K

**PAD TYPE/COMPOUND**  
7816 H PolyMatrix

**ORDERING INFORMATION, USER SERVICEABLE COMPONENTS:**

CALIPER PART NO.	PISTON	SQ RING KIT (4 PK)	BLEED SCREW KIT (4 PK)	BODY SEAL (EA)	PAD RETAINER CLIP PIN (4 PK)
120-8524	200-8488 (1.25")	130-3602	220-4783	210-2582	180-3861
120-8425	200-8488 (1.25")	130-3602	220-4783	210-2582	180-3861