



350 S. St. Charles St. Jasper, In. 47546

Ph. 812.482.2932 Fax 812.634.6632

www.ridetech.com

Parts # 11004699
Universal Crossmember

Components:

2	90009000	9000 Air springs
2	90000001	Weld on lower mount
2	90000242	Weld on upper mount
2	90000380	Upper Shock Mount
2	90001617	Shock Studs
2	90001105	Crossmember Frame Plate
1	90001106	47" x 1 1/2" O.D. x .188" wall tubing

Hardware:

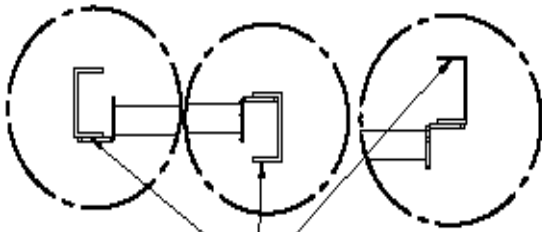
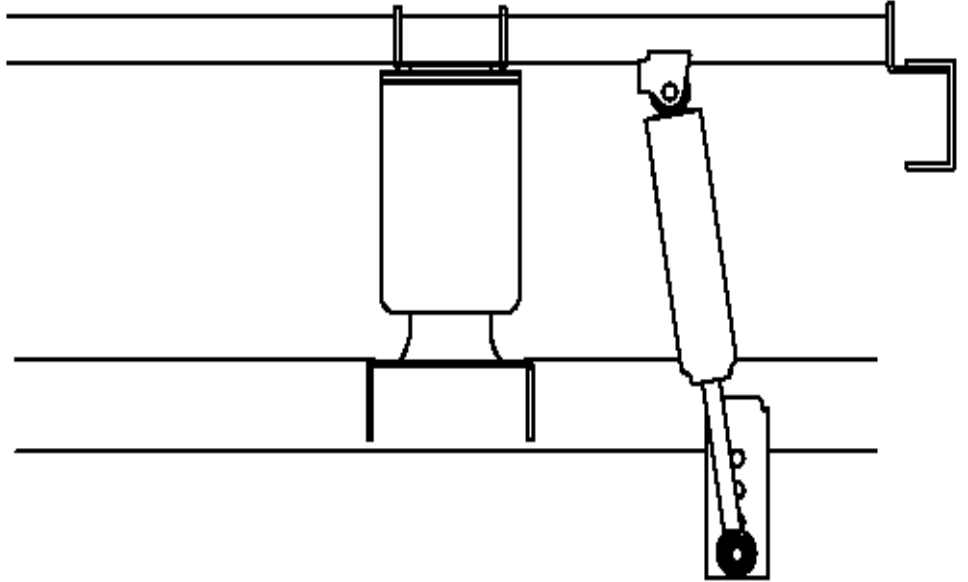
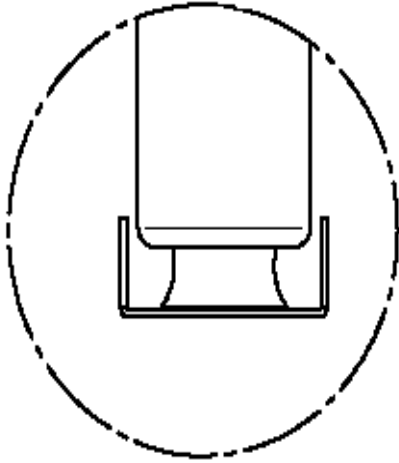
6	99371001	3/8-16 x 3/4" Bolts	Air spring mounting bolts
6	99373003	3/8 SAE flat washer	Air spring mounting bolts
6	99373005	3/8 split lock washer	Air spring mounting bolts
2	99501010	1/2" x 2 1/4" SAE GR 8 Bolts	Upper shock mount
2	99502003	1/2" SAE Nylock Jam Nuts	Upper shock mount

Air Spring Dimensions

Minimum Height = 4 1/2"

Ride Height = 9" - 9 1/2"

Maximum Height = 12"



POSSIBLE FRAME ASSEMBLIES