

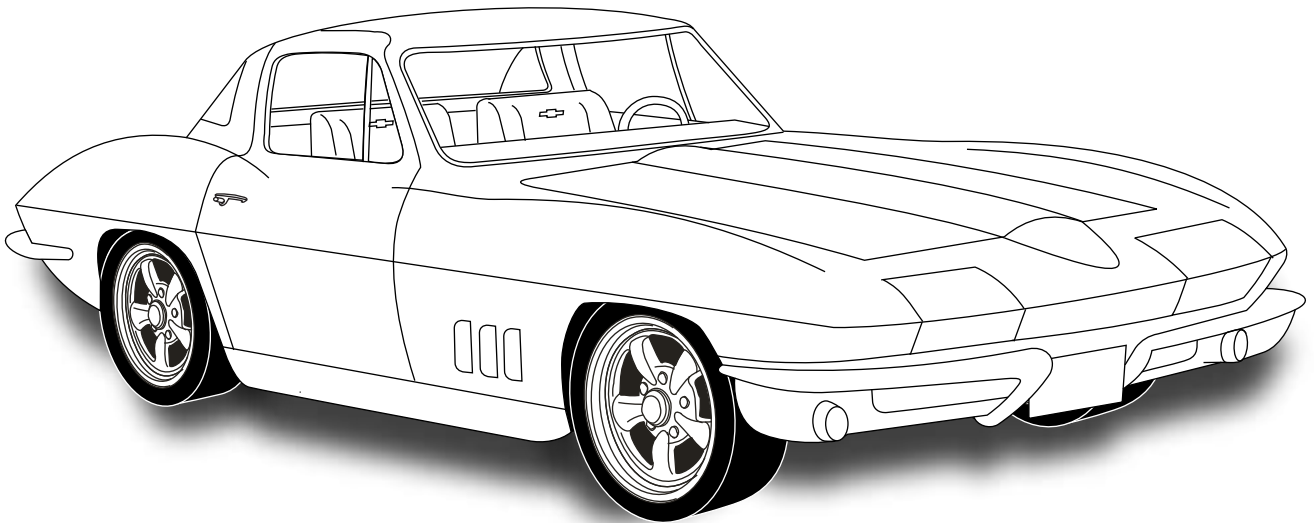


an ISO 9001:2008 Registered Company

1966-67 CORVETTE

CONDENSER KIT

027066



18865 GOLL ST. - SAN ANTONIO, TX. - 78266 ph.210-654-7171 - fax 210-654-3113



Table of Contents

PAGES

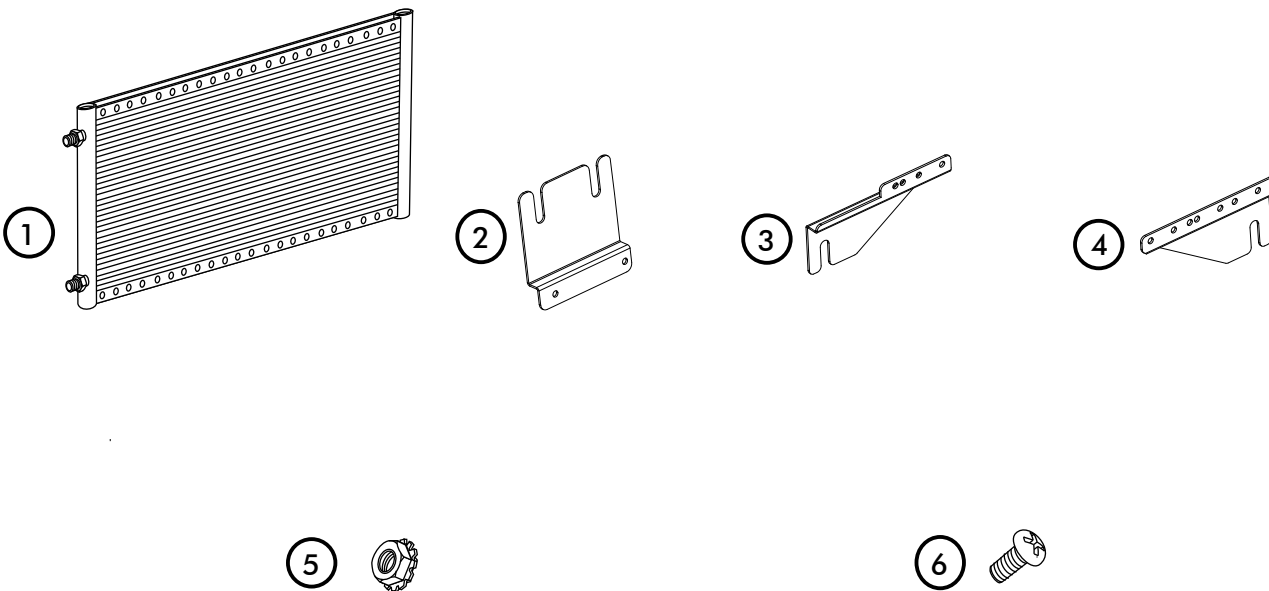
1. COVER
2. TABLE OF CONTENTS
3. PACKING LIST/PARTS DISCLAIMER
4. MOUNTING BRACKET INSTALLATION
5. MOUNTING BRACKET INSTALLATION CONT.
6. CONDENSER INSTALLATION
7. PACKING LIST



**CONDENSER KIT
027066**

No.	QTY.	PART No.	DESCRIPTION
1.	1	03767-VUC	14 X 24 PARALLEL FLOW COND.
2.	1	644034	BRKT 66-67 VETTE COND TOP
3.	1	644038	BRKT 63-67 VETTE COND PASS SIDE BTM
4.	1	644039	BRKT 63-67 VETTE COND DR SIDE BTM
5.	6	18260-VUB	10-24 NUT w/STAR WASHER
6.	6	18249-VUB	10-24 x 3/8" PAN HEAD SCREW

**** BEFORE BEGINNING INSTALLATION OPEN ALL PACKAGES AND CHECK CONTENTS OF SHIPMENT. PLEASE REPORT ANY SHORTAGES DIRECTLY TO VINTAGE AIR WITHIN 15 DAYS. AFTER 15 DAYS, VINTAGE AIR WILL NOT BE RESPONSIBLE FOR MISSING OR DAMAGED ITEMS.**

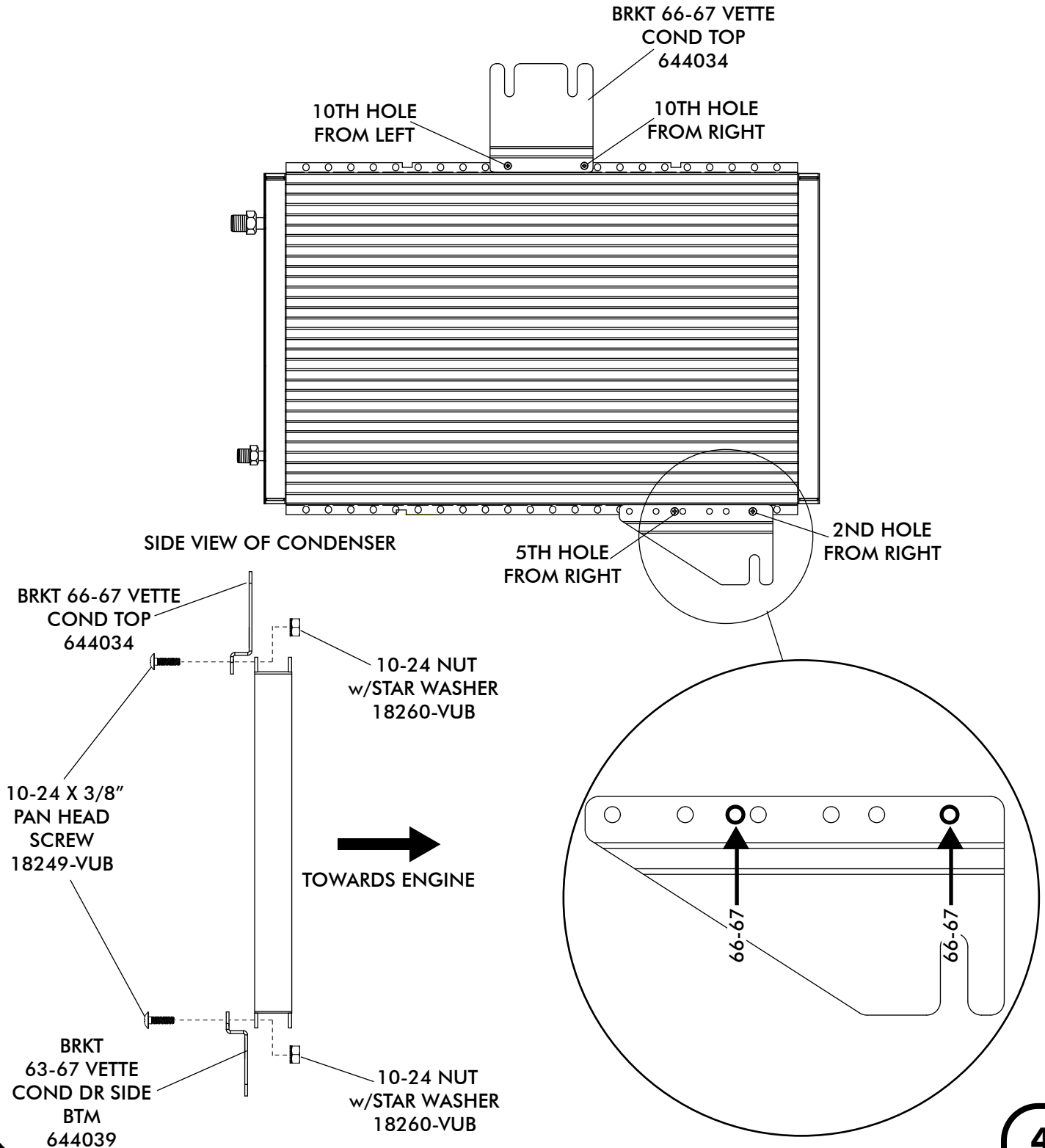




NOTE: MARK HINGE LOCATION ON HOOD AND REMOVE HOOD. REMOVE HOOD PROP.

MOUNTING BRACKET INSTALLATION

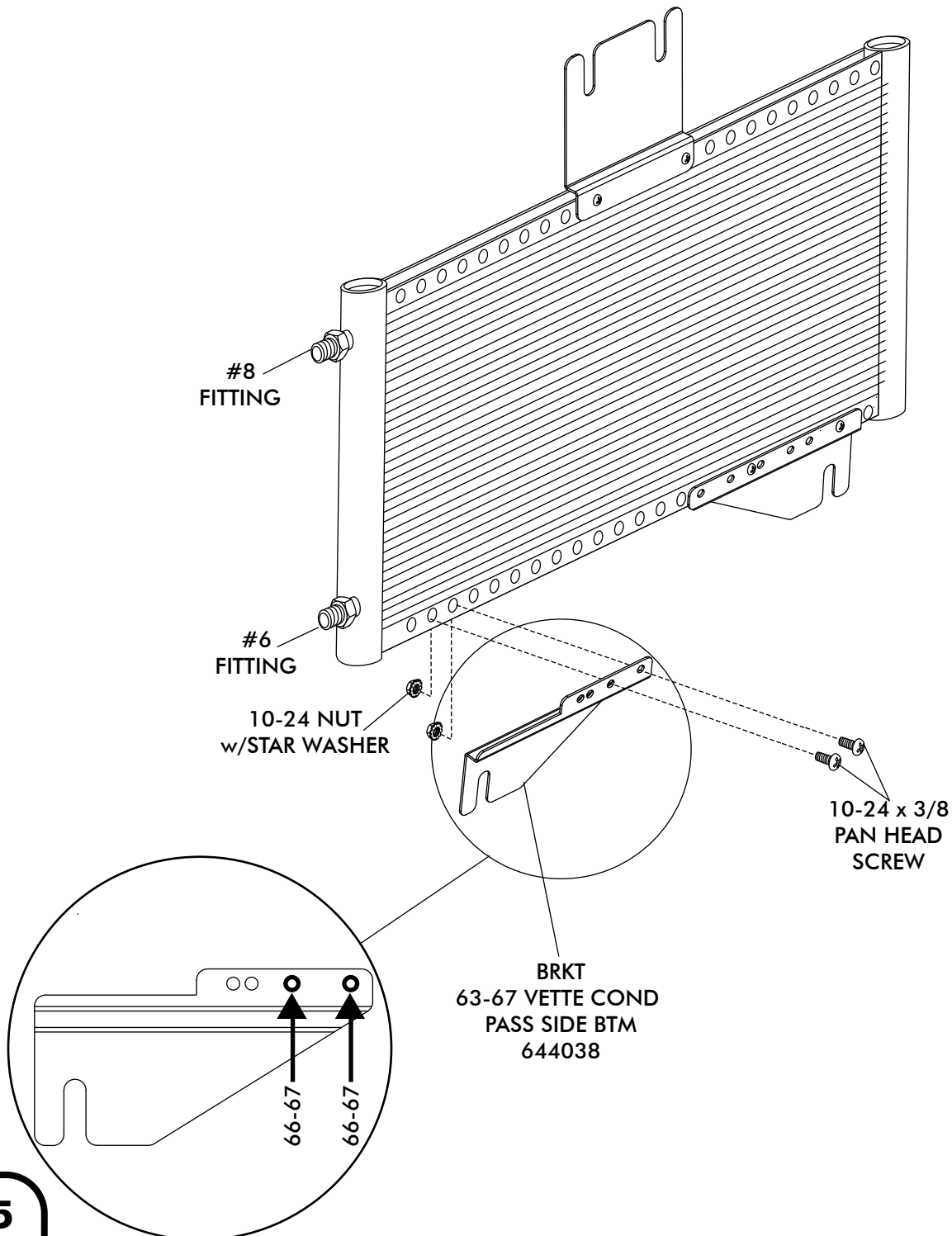
- INSTALL MOUNTING BRACKETS ON TO CONDENSER USING 10-24 x 3/8" PAN HEAD SCREWS AND 10-24 NUTS w/STAR WASHERS AS SHOWN BELOW.





MOUNTING BRACKET INSTALLATION CONT.

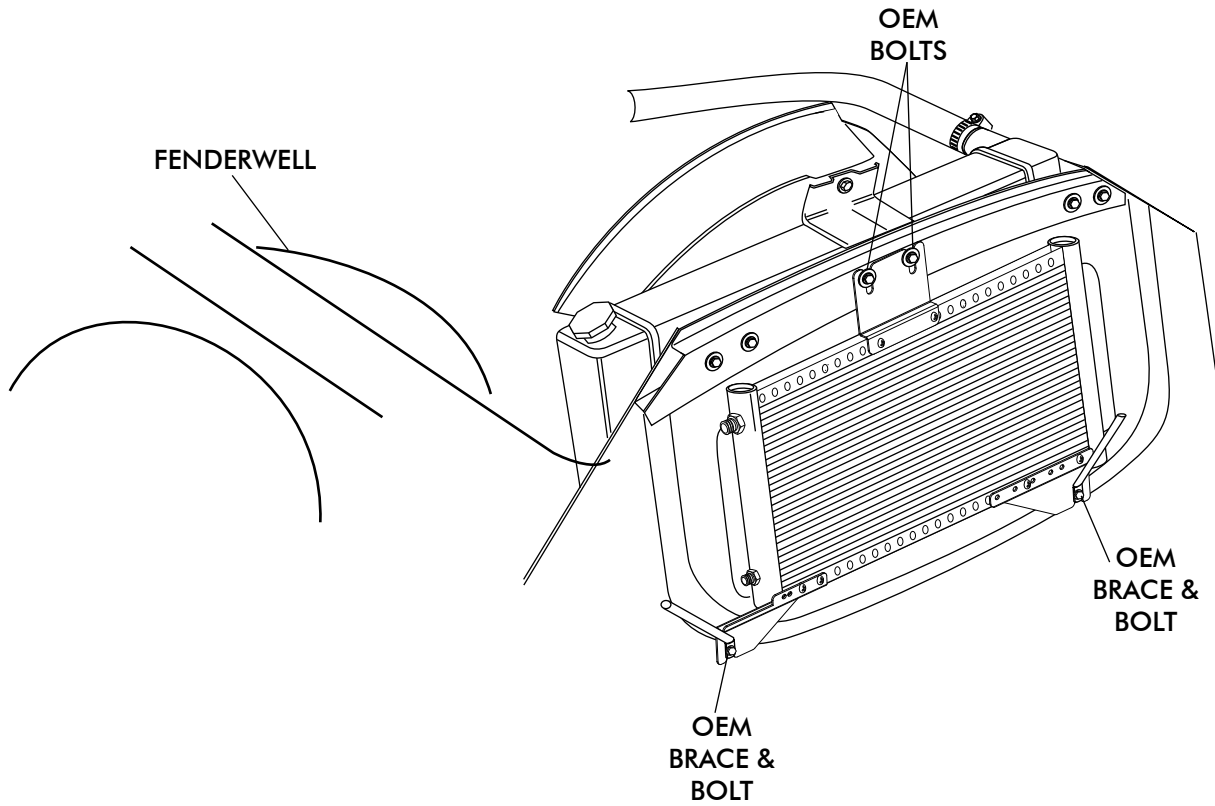
- INSTALL MOUNTING BRACKETS ON TO CONDENSER USING 10-24 x 3/8" PAN HEAD SCREWS AND 10-24 NUTS w/STAR WASHERS AS SHOWN BELOW. NOTE: BRACKET MOUNTS THROUGH THE 2ND AND 3RD HOLES ON THE BOTTOM OF THE CONDENSER.





HARDLINE CLAMP & SAFETY SWITCH INSTALLATION

□ INSTALL CONDENSER IN FRONT OF CORE SUPPORT AS SHOWN BELOW, USING OEM BOLTS.





**CONDENSER KIT
027066**

No.	QTY.	PART No.	DESCRIPTION
1.	1	03767-VUC	14 X 24 PARALLEL FLOW COND.
2.	1	644034	BRKT 66-67 VETTE COND TOP
3.	1	644038	BRKT 63-67 VETTE COND PASS SIDE BTM
4.	1	644039	BRKT 63-67 VETTE COND DR SIDE BTM
5.	6	18260-VUB	10-24 NUT w/STAR WASHER
6.	6	18249-VUB	10-24 x 3/8" PAN HEAD SCREW

CHECKED BY: _____
 PACKED BY: _____
 DATE: _____

