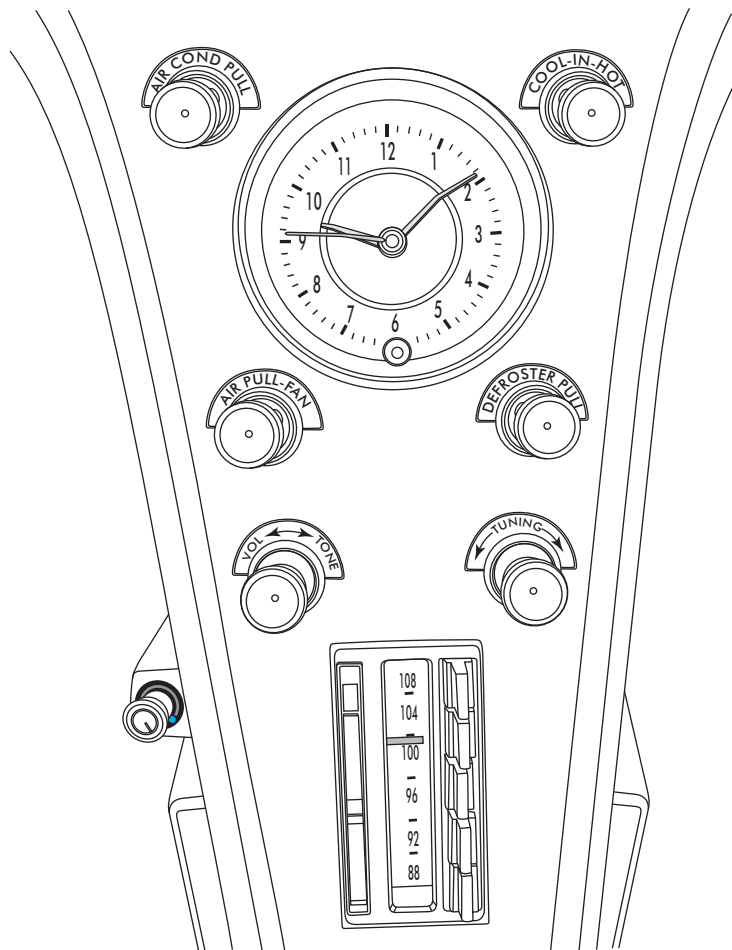




an ISO 9001: 2008 Registered Company

1963-67 CORVETTE

w/ AC CONTROL PANEL
CONVERSION KIT
473164



18865 GOLL ST. - SAN ANTONIO, TX. - 78266 ph.210-654-7171 - fax 210-654-3113



Table of Contents

PAGES

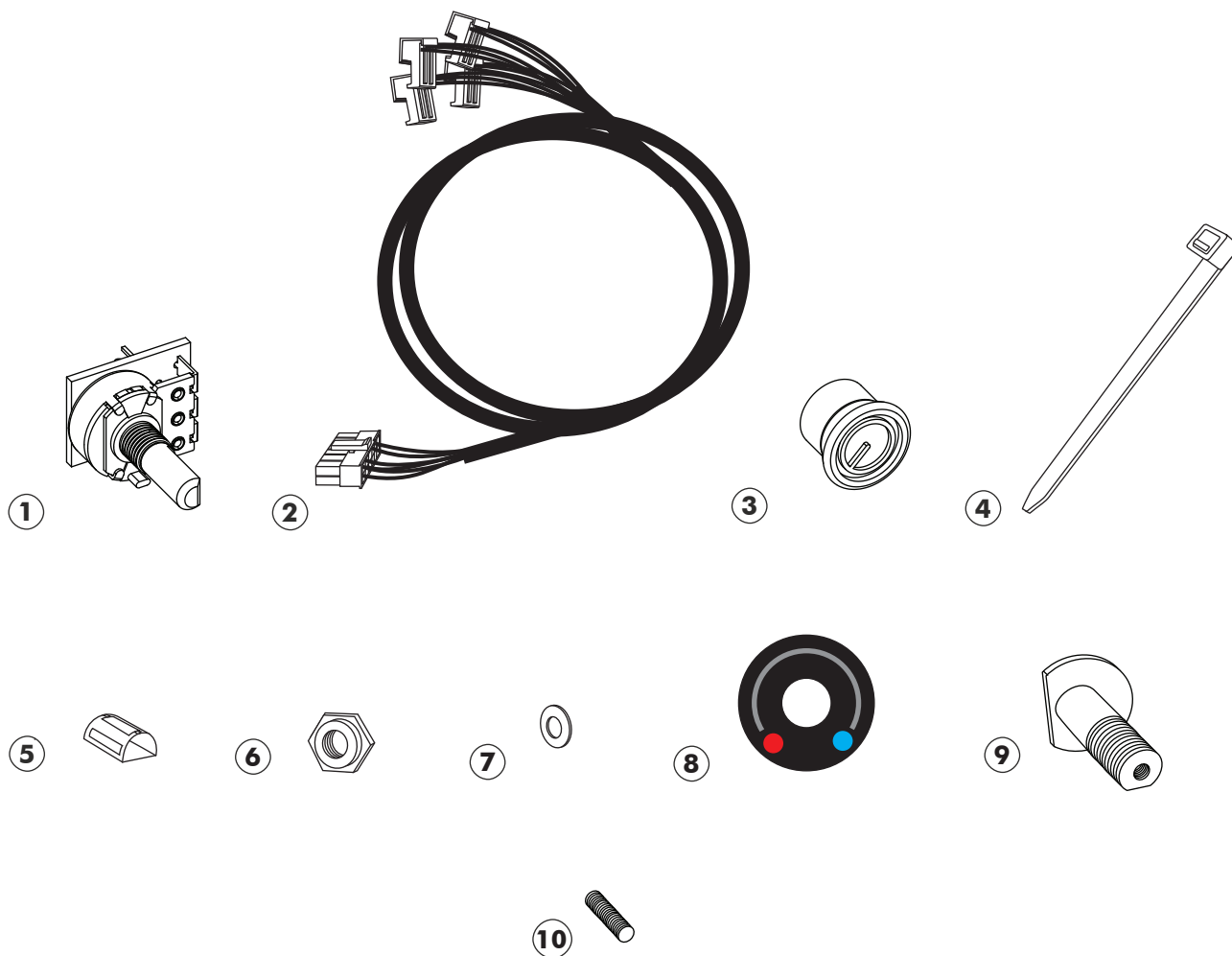
1. COVER
2. TABLE OF CONTENTS
3. PACKING LIST/ PARTS DISCLAIMER
4. REMOVING CONTROL KNOBS AND DASH MODIFICATION
5. CONTROL KNOB MODIFICATION
6. ROTARY POT INSTALLATION
7. AIR COND PULL & COOL-IN-HOT CONTROL KNOB INSTALLATION
8. FINAL STEPS
9. WIRING DIAGRAM
10. OPERATION OF CONTROLS
11. CONTROL PANEL KIT PACKING LIST



**CONTROL KIT
473164**

No	QTY	PART No.	DESCRIPTION
1.	3	246018-0	ROTARY POT ASM
2.	1	232002-VUA	GEN IV UNIVERSAL CONTROL HARNESS
3.	1	497004	KNOB SOFT BLACK METRIC
4.	5	21301-VUP	4" TIE WRAP
5.	2	187570	6mm D CLIP
6.	2	117002	63-67 CORVETTE ROTARY POT NUT
7.	1	186011	WASHER .625" OD x .281" ID
8.	1	205552	LABEL GEN IV ROTARY TEMP
9.	2	117003	63-67 CORVETTE w/ AC AC CONTROL STUD
10.	2	184145	8-32 x 3/4" SET SCREW

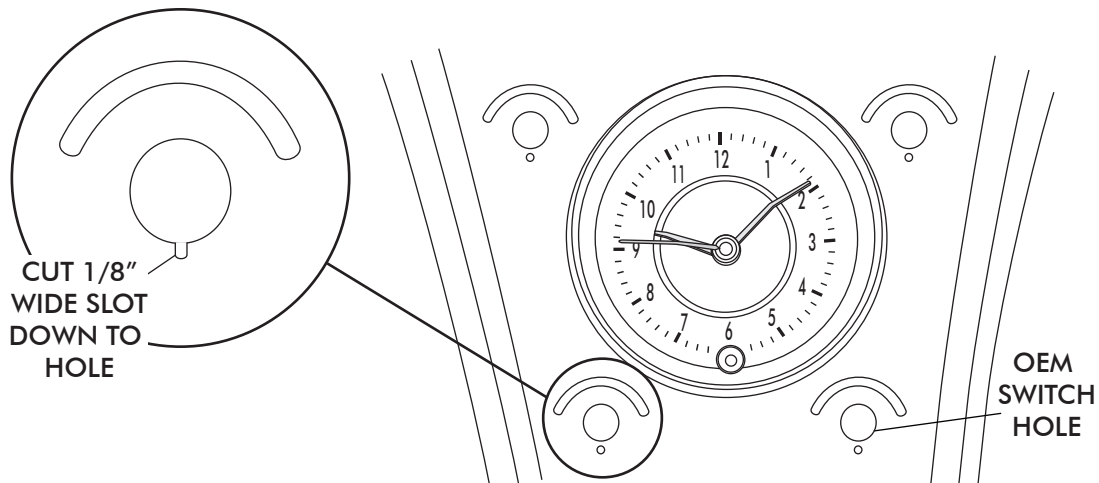
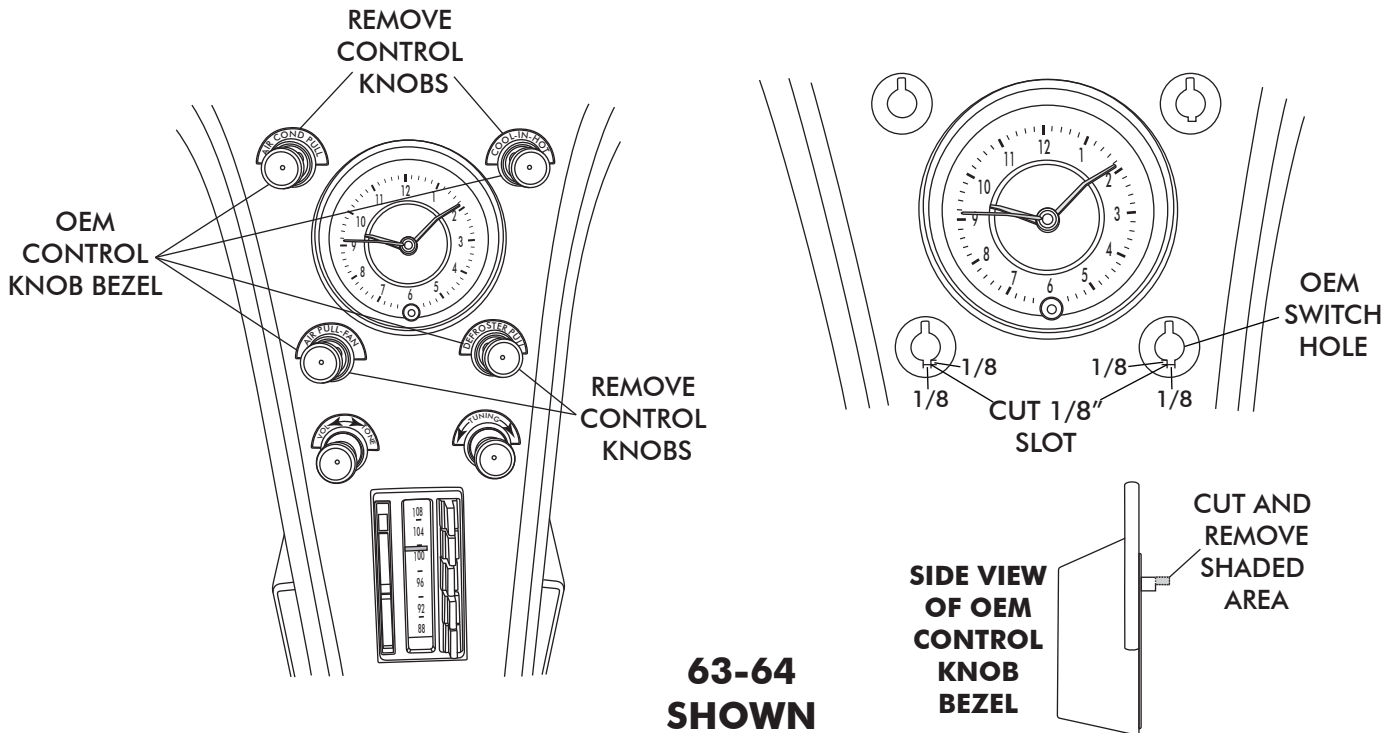
**** BEFORE BEGINNING INSTALLATION OPEN ALL PACKAGES AND CHECK CONTENTS OF SHIPMENT. PLEASE REPORT ANY SHORTAGES DIRECTLY TO VINTAGE AIR WITHIN 15 DAYS. AFTER 15 DAYS, VINTAGE AIR WILL NOT BE RESPONSIBLE FOR MISSING OR DAMAGED ITEMS.**





REMOVING CONTROL KNOBS AND DASH MODIFICATION

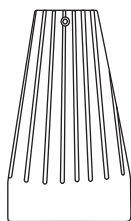
- ❑ REMOVE THE (4) OEM CONTROL KNOBS. (RETAIN)
- ❑ DISCONNECT CABLES AND WIRES FROM BACK OF CONTROL SWITCHES. (DISCARD)
- ❑ REMOVE OEM SWITCHES (DISCARD)
- ❑ REMOVE & RETAIN OEM CONTROL KNOB BEZELS AND (2) NUTS.
- ❑ CUT 1/8" SLOT IN THE (2) LOWER OEM SWITCH HOLES. SEE BELOW.
- ❑ REMOVE STEP IN CONTROL KNOB BEZELS AS SHOWN BELOW. (63-64 ONLY)



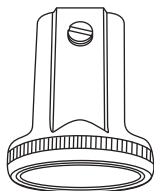


CONTROL KNOB MODIFICATION

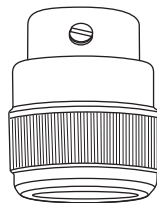
- **NOTE: HEATER-DEFROST KNOBS ARE SCREW-ON TYPE. HEATER-FAN KNOBS USE SET SCREW.**
- REMOVE SET SCREW.
- DRILL KNOBS IN THREE STEPS AS SHOWN BELOW. ACCURATE HOLE SIZE IS IMPORTANT FOR PROPER D-CLIP FIT.



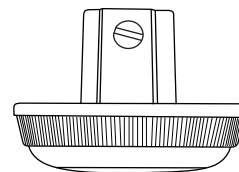
63-64
OEM KNOB



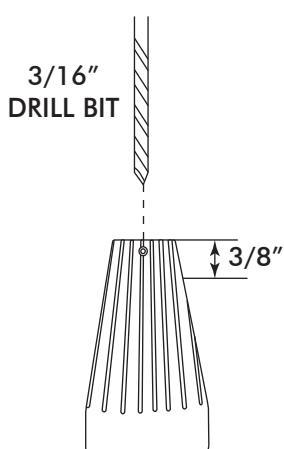
65
OEM KNOB



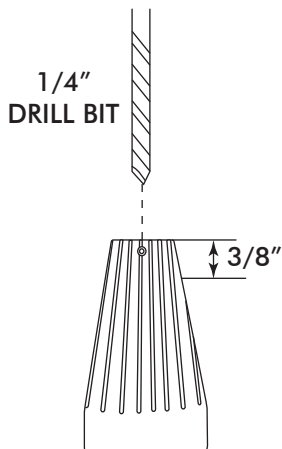
66
OEM KNOB



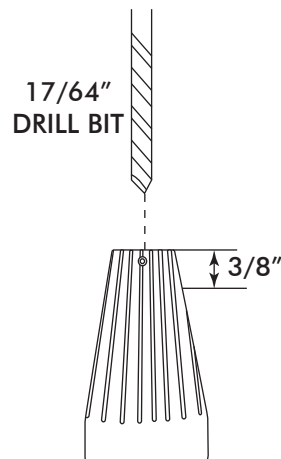
67
OEM KNOB



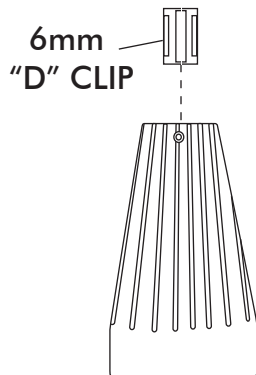
STEP 1
DRILL KNOB
3/16"



STEP 2
DRILL KNOB
1/4"



STEP 3
FINALLY
DRILL KNOB
17/64"

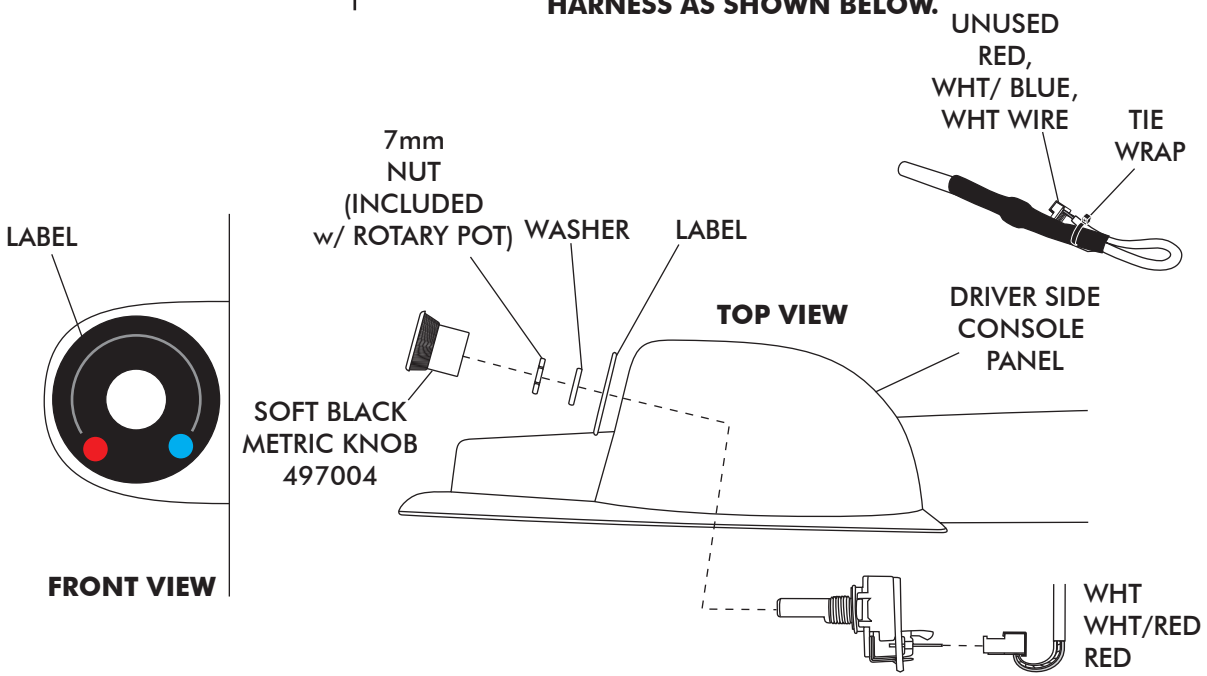
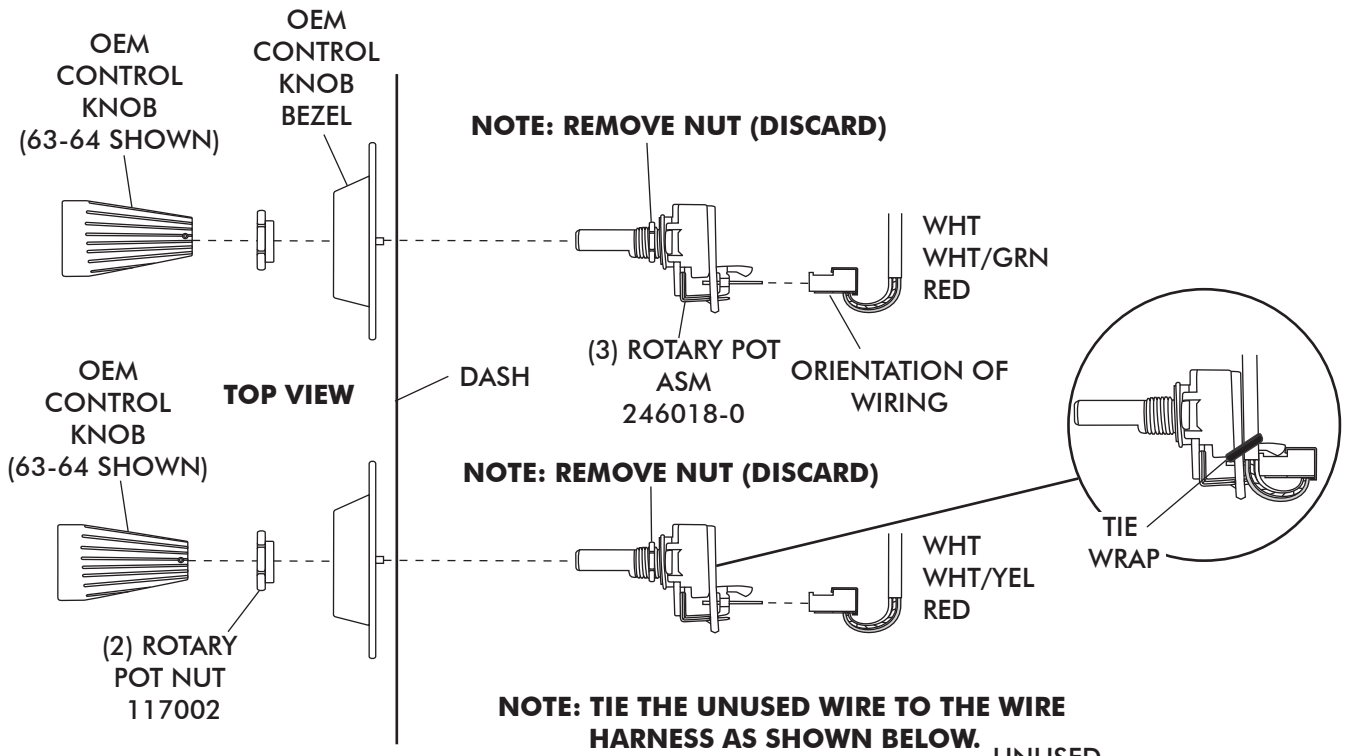


STEP 4
INSERT
6mm
"D" CLIP



ROTARY POT INSTALLATION

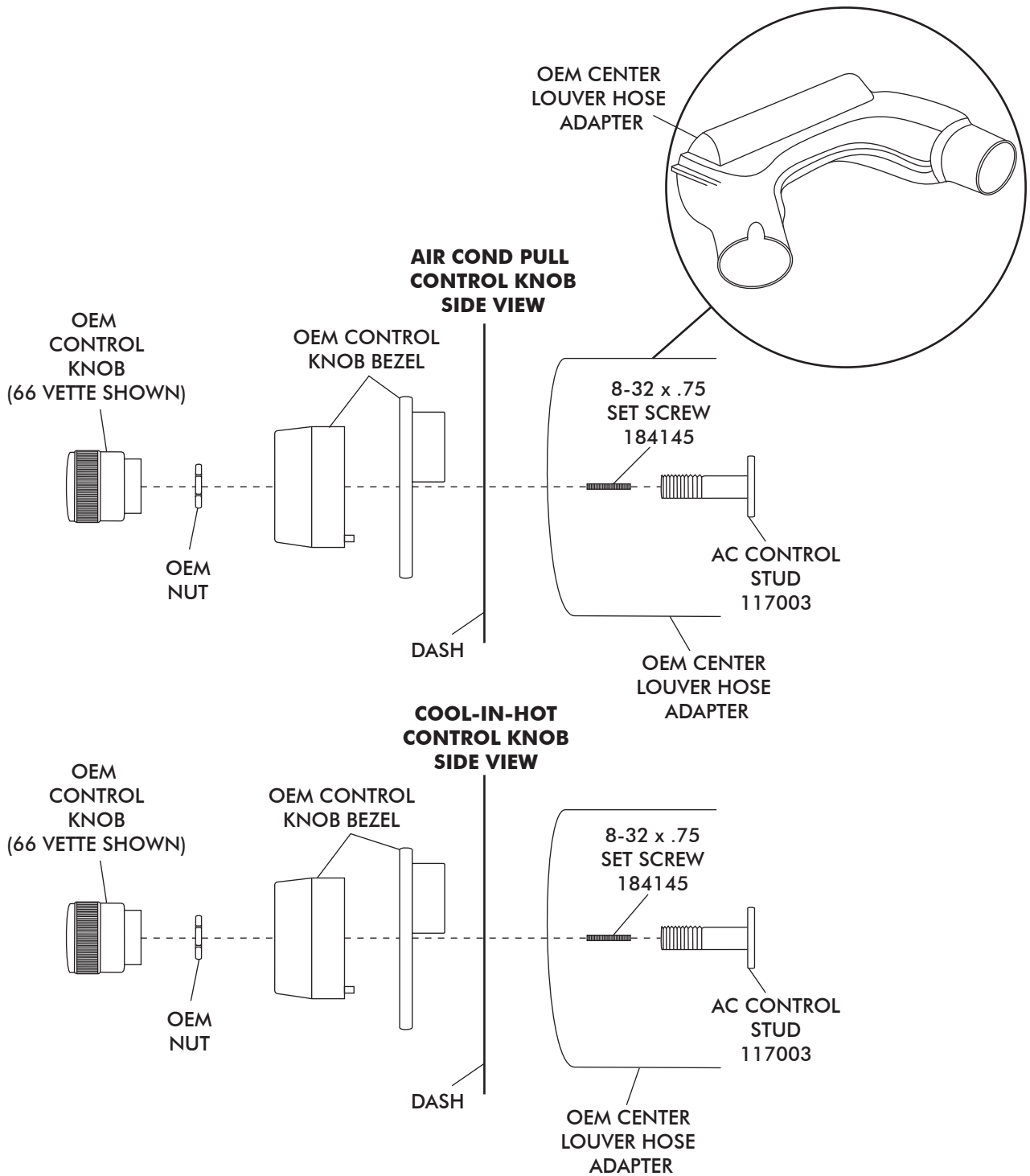
- LOCATE THE (2) ROTARY POT ASSEMBLIES, AND INSTALL IN OEM SWITCH HOLES AS SHOWN BELOW.
- INSTALL ROTARY POT ASSEMBLY AND LABEL IN DRIVER SIDE CONSOLE PANEL AS SHOWN BELOW.
- INSTALL OEM KNOBS
- TIE WRAP WIRES TO ROTARY POTS AS SHOWN.





AIR COND PULL & COOL-IN-HOT CONTROL KNOB INSTALLATION

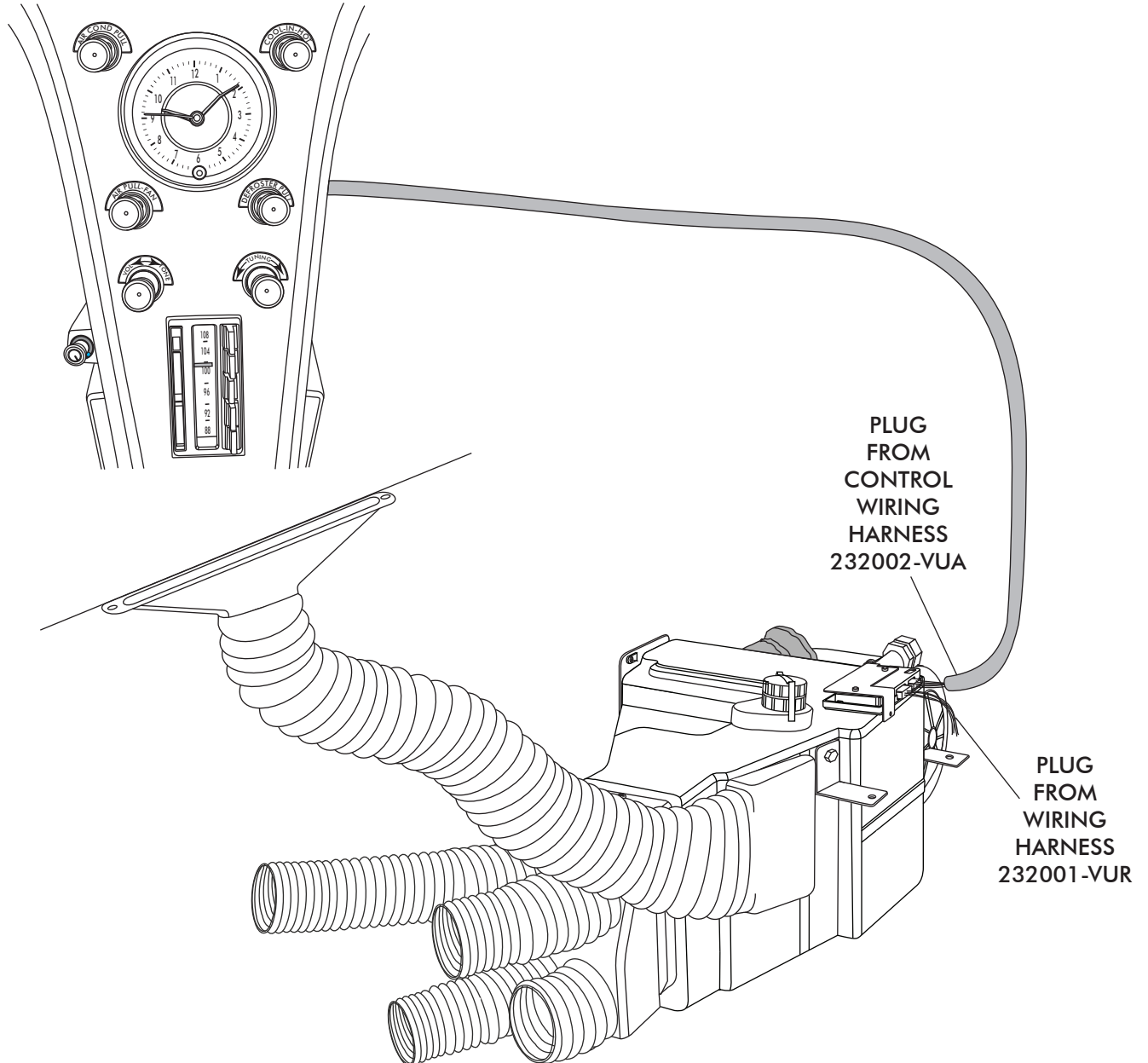
- INSTALL (2) 8-32 x .75 SET SCREWS INTO AC CONTROL STUD (TIGHTEN)
- INSTALL AC CONTROL STUD THROUGH OEM CENTER LOUVER HOSE ADAPTER AND DASH AS SHOWN BELOW.
- INSTALL AIR COND PULL & COOL-IN-HOT CONTROL KNOB AND BEZEL AS SHOWN BELOW.





FINAL STEPS

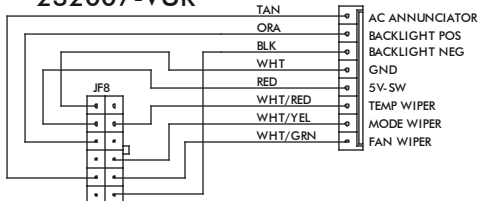
- PLUG THE WIRING HARNESS INTO THE ECU MODULE ON SUB CASE. SEE BELOW.
- WIRE ACCORDING TO WIRING DIAGRAM ON PAGE 9.





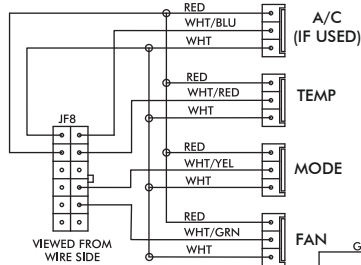
Wiring Diagram

232007-VUR



VIEWED FROM WIRE SIDE

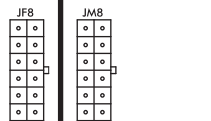
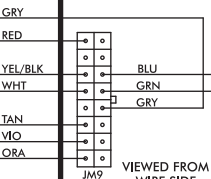
232002-VUA



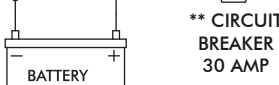
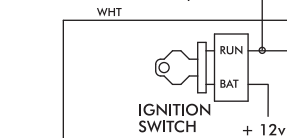
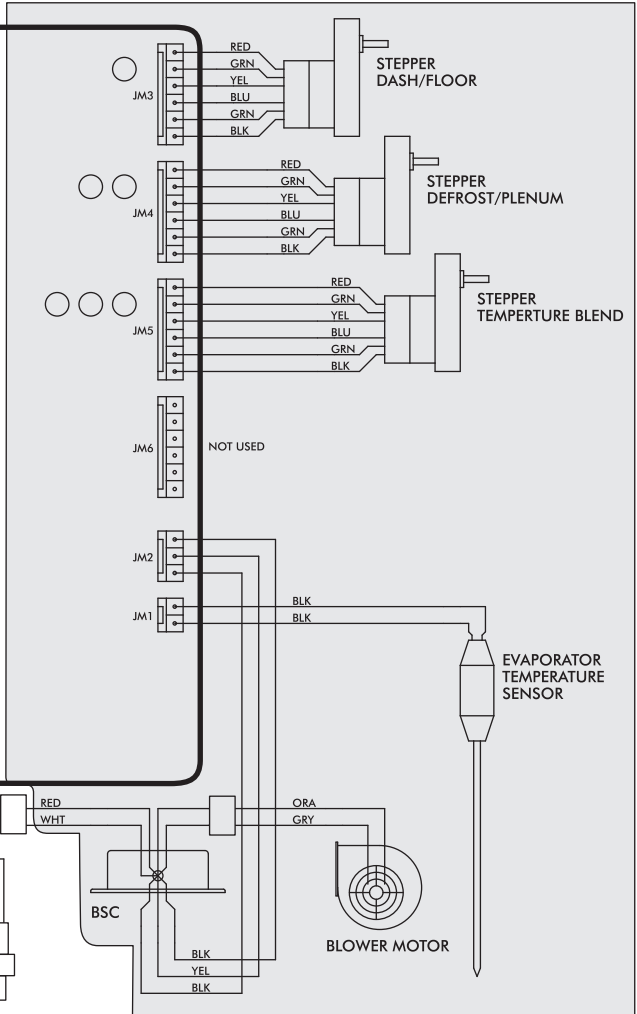
VIEWED FROM WIRE SIDE

GEN IV ECU

GEN IV WIRING DIAGRAM
REV D, 5/6/2014



PRE-WIRED



NOTE: = CHASSIS GROUND

- Dash Lamp Is Used Only With Type 232007-VUR Harness.
- Warning: Always Mount Circuit Breaker As Close to the Battery As Possible. (NOTE: Wire Between Battery and Circuit Breaker Is Unprotected and Should Be Carefully Routed to Avoid a Short Circuit).
- Wide Open Throttle Switch Contacts Close Only at Full Throttle, Which Disables A/C Compressor.



OPERATION OF CONTROLS

ON GEN 4 SYSTEMS WITH THREE LEVER/KNOB CONTROLS, THE TEMPERATURE CONTROL TOGGLES BETWEEN ECONOMY AND A/C MODES. TO ACTIVATE A/C, MOVE THE TEMPERATURE LEVER ALL THE WAY TO COLD AND THEN BACK IT OFF TO THE DESIRED VENT TEMPERATURE. FOR ECONOMY/HEAT MODE, MOVE THE TEMPERATURE LEVER ALL THE WAY TO HOT AND THEN ADJUST TO THE DESIRED VENT TEMPERATURE. THE BLOWER WILL MOMENTARILY CHANGE SPEED EACH TIME YOU TOGGLE BETWEEN MODES TO INDICATE THE CHANGE.

ALL SWITCHES ARE VARIABLE BETWEEN POSITIONS, SYSTEM WILL PERFORM A BLEND BETWEEN THE FUNCTIONS.

BLOWER SPEED

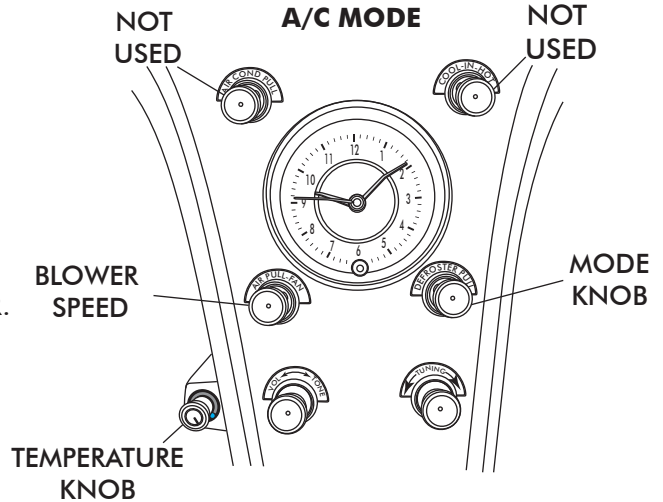
THIS KNOB CONTROLS THE BLOWER SPEED, FROM OFF TO HI

MODE KNOB

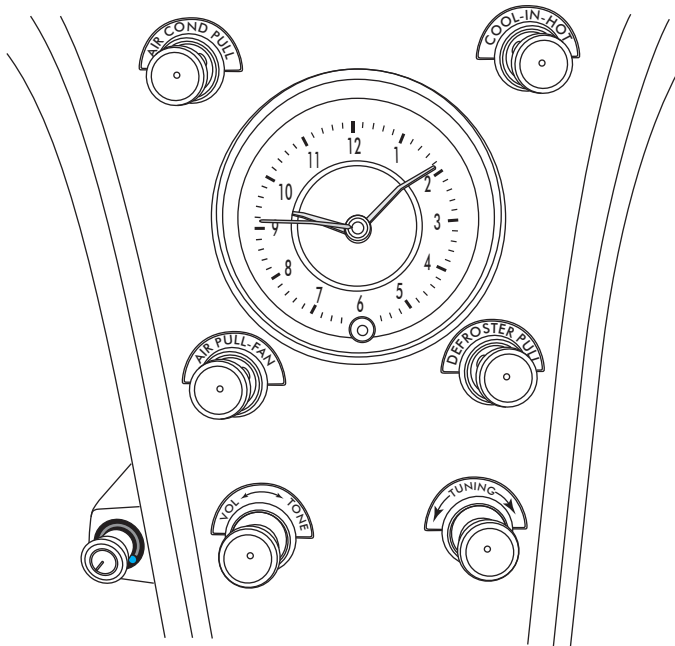
ROTATE THE KNOB TO THE LEFT TO DIRECT AIR FLOW TO THE DASH VENTS

TEMPERATURE KNOB

ROTATE THE TEMPERATURE KNOB ALL THE WAY RIGHT TO THE COLD POSITION TO ENGAGE COMPRESSOR. (ROTATE KNOB LEFT OR RIGHT TO ADJUST DESIRED TEMPERATURE)



HEAT MODE



BLOWER SPEED

ROTATE KNOB RIGHT TO DESIRED BLOWER SPEED FROM OFF TO HI.

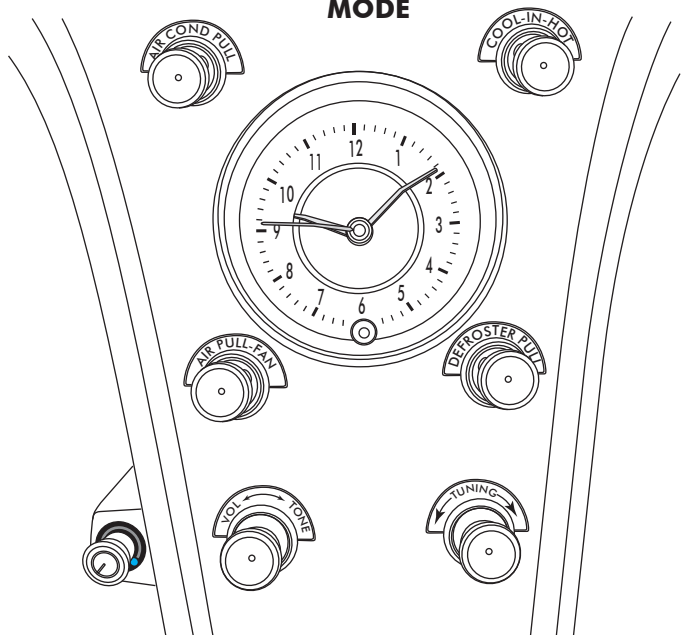
MODE KNOB

ROTATE THE KNOB TO THE CENTER TO DIRECT AIR FLOW TO THE FLOOR.

TEMPERATURE KNOB

ROTATE THE TEMPERATURE KNOB ALL THE WAY LEFT TO THE HOT POSITION. (ROTATE KNOB LEFT OR RIGHT TO ADJUST DESIRED TEMPERATURE)

DEFROST/ DE-FOG MODE



BLOWER SPEED

ROTATE KNOB RIGHT TO DESIRED BLOWER SPEED FROM OFF TO HI.

MODE KNOB

ROTATE THE KNOB TO THE RIGHT TO DIRECT AIR FLOW TO THE DEFROST VENTS.

TEMPERATURE KNOB

ROTATE KNOB LEFT OR RIGHT TO ADJUST DESIRED TEMPERATURE. (COMPRESSOR IS AUTOMATICALLY ENGAGED)



**CONTROL KIT
473164**

No	QTY	PART No.	DESCRIPTION	CHECK LIST
1.	3	246018-0	ROTARY POT ASM	_____
2.	1	232002-VUA	GEN IV UNIVERSAL CONTROL HARNESS	_____
3.	1	497004	KNOB SOFT BLACK METRIC	_____
4.	5	21301-VUP	4" TIE WRAP	_____
5.	2	187570	6mm D CLIP	_____
6.	2	117002	63-67 CORVETTE ROTARY POT NUT	_____
7.	1	186011	WASHER .625" OD x .281" ID	_____
8.	1	205552	LABEL GEN IV ROTARY TEMP	_____
9.	2	117003	63-67 CORVETTE w/ AC CONTROL STUD	_____
10.	2	184145	8-32 x 3/4" SET SCREW	_____

CHECKED BY: _____
 PACKED BY: _____
 DATE: _____

