

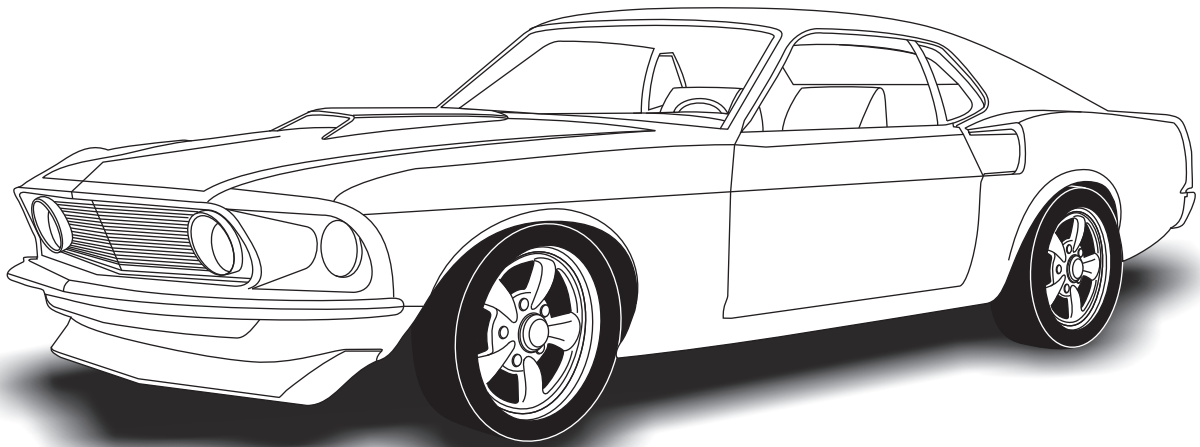


an ISO 9001:2000 Registered Company

# **1967-70 FORD MUSTANG, 1967-68 MERCURY COUGAR**

**CONDENSER KIT WITHOUT DRIER**

**017069**



18865 GOLL ST. - SAN ANTONIO, TX. - 78266 ph.210-654-7171 - fax 210-654-3113



## TABLE OF CONTENTS

### PAGES

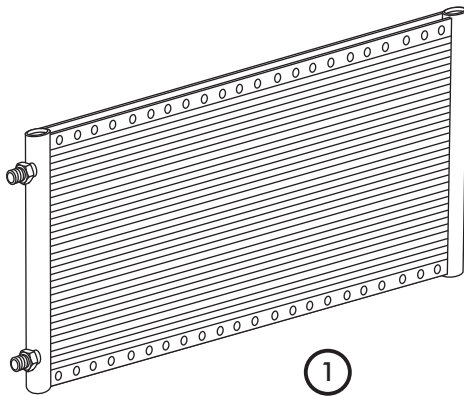
1. COVER
2. TABLE OF CONTENTS
3. PACKING LIST/PARTS DISCLAIMER
4. INFORMATION PAGE
5. INFORMATION PAGE
6. CONDENSER BRACKET INSTALLATION  
FIGURES 1
7. CONDENSER ASSEMBLY AND FAN SHROUD INSTALLATION  
FIGURES 2 & 3
8. PACKING LIST



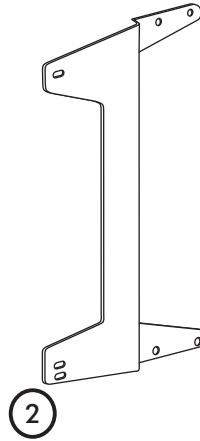
**CONDENSER KIT  
017069**

No.	QTY.	PART No.	DESCRIPTION
1.	1	03765-VUC	SUPER FLOW CONDENSER 14" x 20"
2.	1	642070	DRIVER SIDE CONDENSER BRACKET
3.	1	642069	PASSENGER SIDE CONDENSER BRACKET
4.	8	18260-VUB	10-24 NUT with STAR WASHER
5.	8	18249-VUB	10-24 x 3/8" PAN HEAD SCREW
6.	4	18290-VUB	1/4-20 x 1" HEX BOLT
7.	4	18125-VUB	1/4" FLAT WASHER
8.	4	18978-VUB	1/4" U-NUT

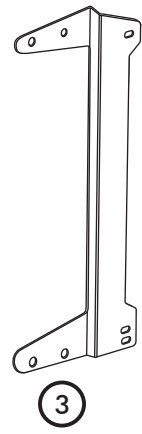
**\*\* BEFORE BEGINNING INSTALLATION, OPEN ALL PACKAGES AND CHECK CONTENTS OF SHIPMENT. PLEASE REPORT ANY SHORTAGES DIRECTLY TO VINTAGE AIR WITHIN 15 DAYS. AFTER 15 DAYS, VINTAGE AIR WILL NOT BE RESPONSIBLE FOR MISSING OR DAMAGED ITEMS.**



1



2



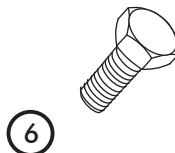
3



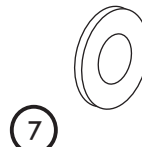
4



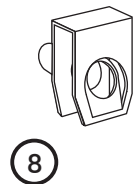
5



6



7



8

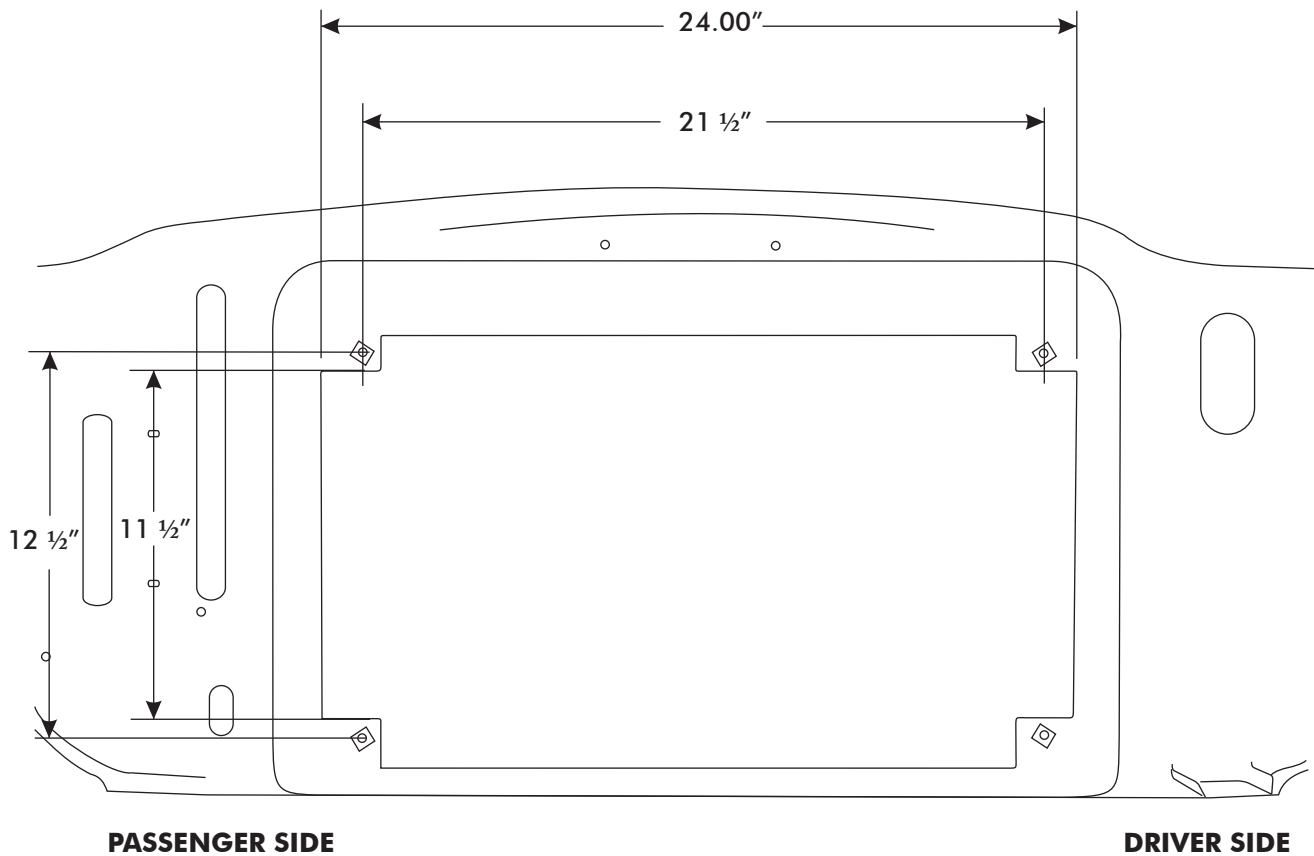
**NOTE: IMAGES MAY NOT DEPICT ACTUAL PARTS AND QUANTITIES. REFER TO PACKING LIST FOR ACTUAL PARTS AND QUANTITIES.**



## 1967-68 FORD MUSTANG, MERCURY COUGAR

### IMPORTANT NOTICE-PLEASE READ

THIS KIT WAS DEVELOPED BASED ON THE MEASUREMENTS BELOW, WHICH WERE TAKEN FROM A 1968 FORD MUSTANG WITH FACTORY AIR CORE SUPPORT.

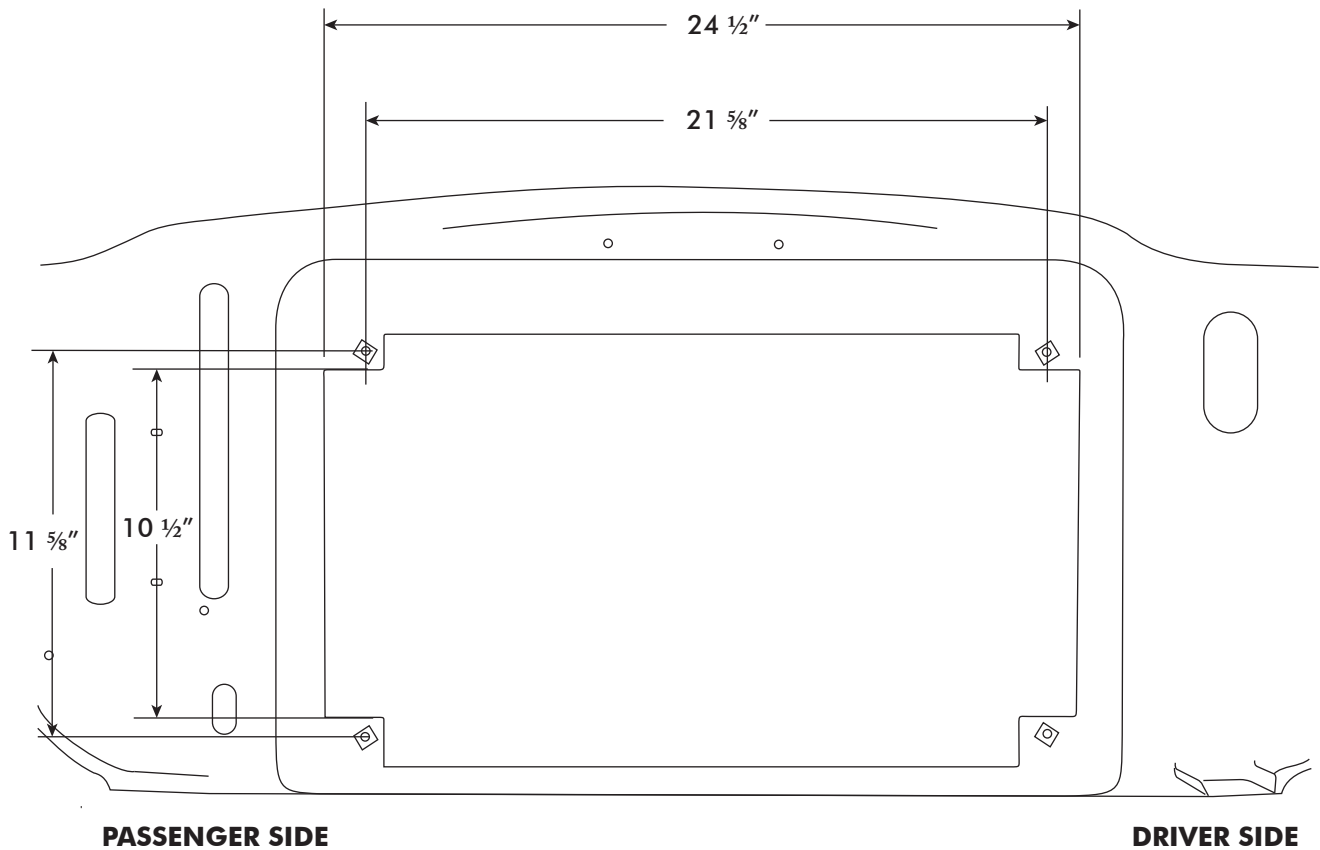




## 1969-70 FORD MUSTANG

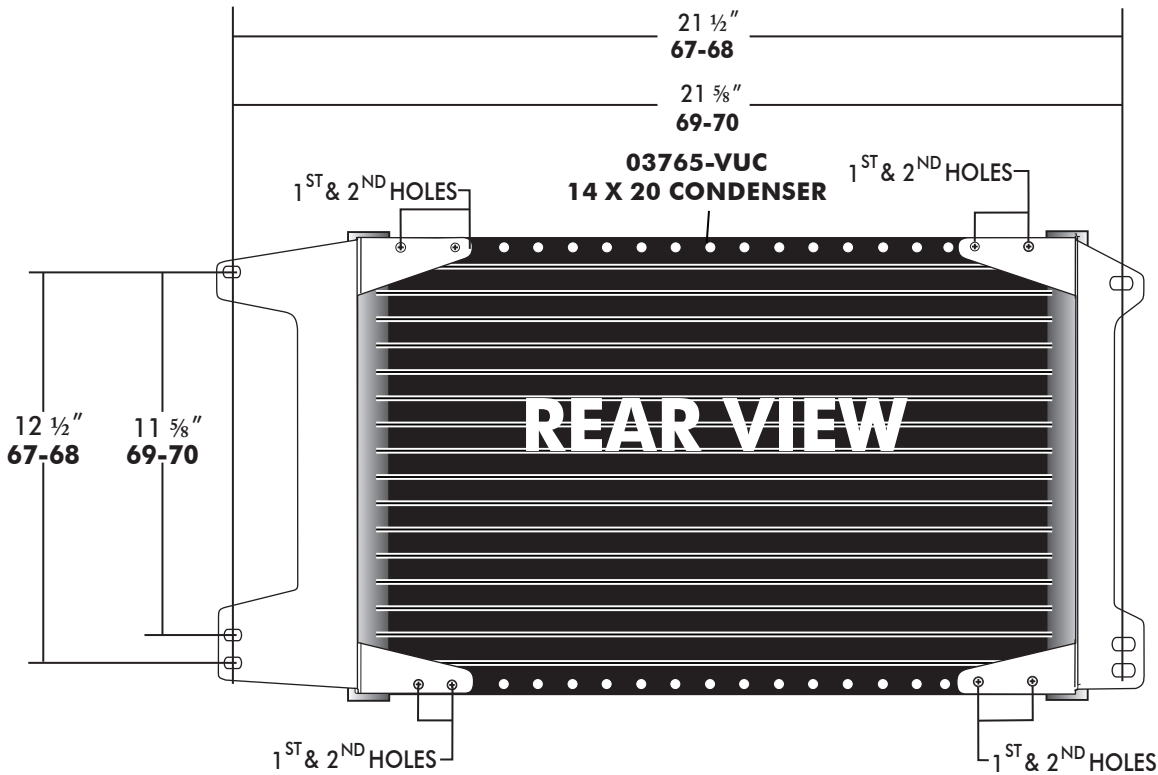
### IMPORTANT NOTICE-PLEASE READ

THIS KIT WAS DEVELOPED BASED ON THE MEASUREMENTS BELOW, WHICH WERE TAKEN FROM A 1969 FORD MUSTANG WITH FACTORY AIR CORE SUPPORT.

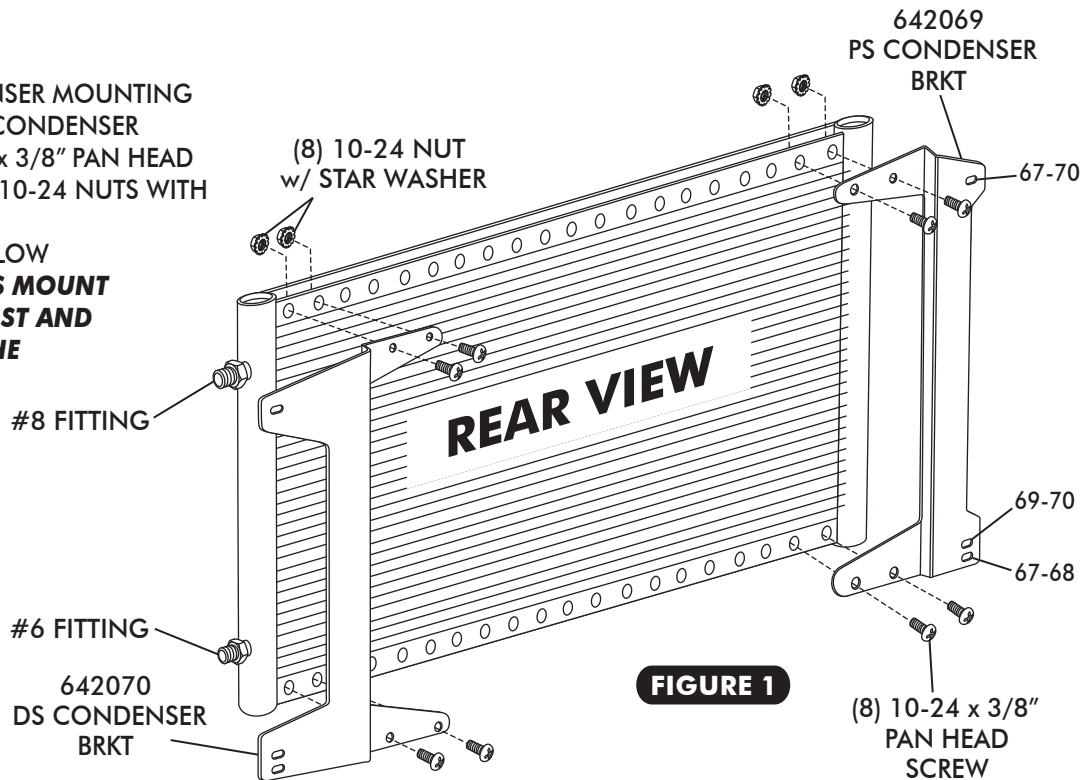




## CONDENSER BRACKET INSTALLATION



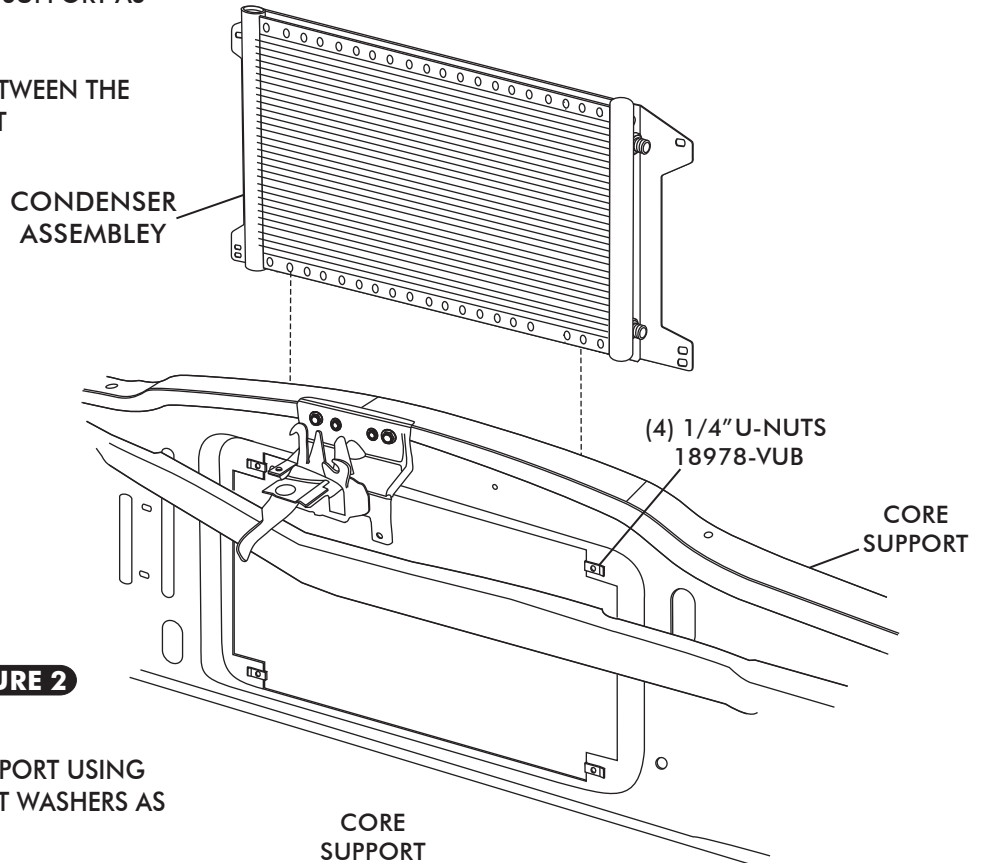
- INSTALL CONDENSER MOUNTING BRACKET ONTO CONDENSER USING (8) 10-24 x 3/8" PAN HEAD SCREWS AND (8) 10-24 NUTS WITH STAR WASHERS. SEE FIGURE 1, BELOW
- NOTE: BRACKETS MOUNT THROUGH THE 1ST AND 2ND HOLE OF THE CONDENSER.**



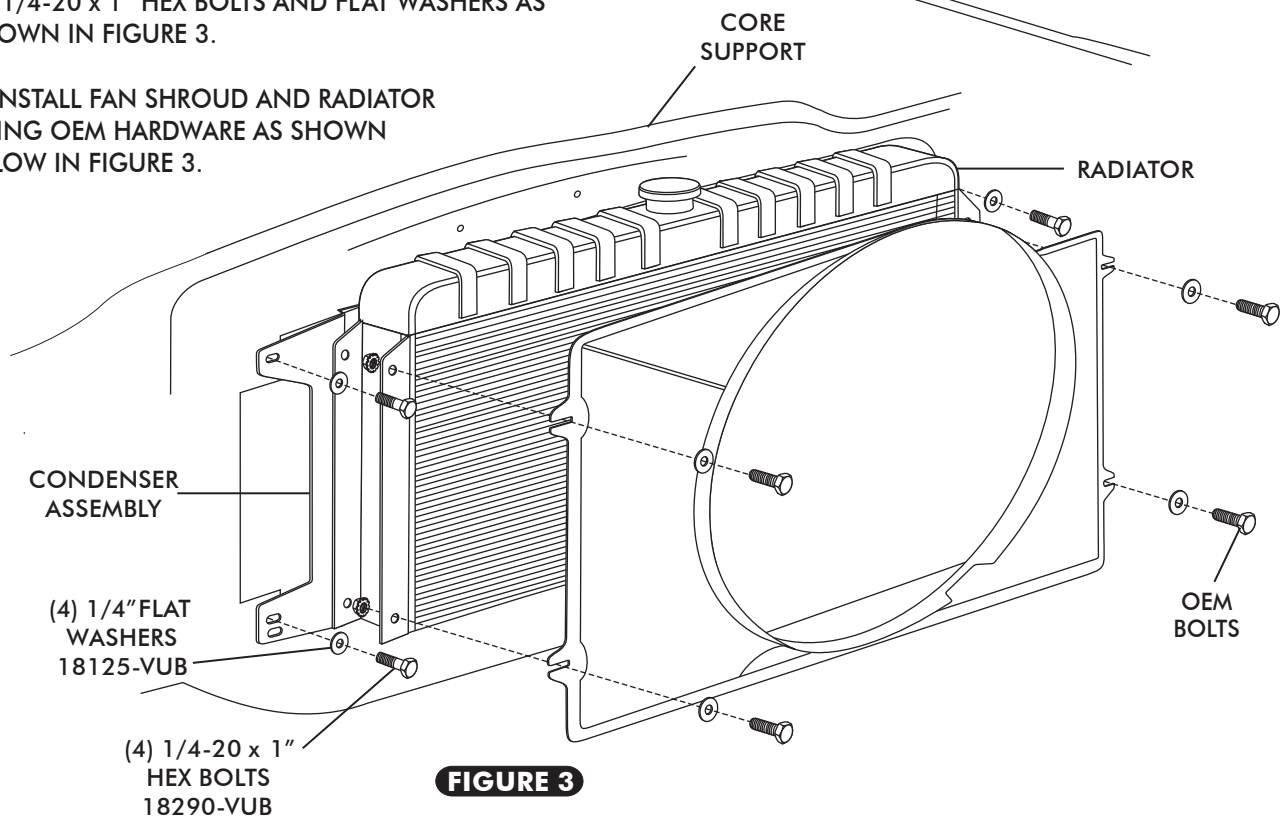


## CONDENSER ASSEMBLY AND FAN SHROUD INSTALLATION

- INSTALL (4) 1/4" U-NUTS ON CORE SUPPORT AS SHOWN BELOW IN FIGURE 2.
- INSTALL CONDENSER ASSEMBLY BETWEEN THE RADIATOR AND THE CORE SUPPORT SEE FIGURE 2, BELOW.



- SECURE CONDENSER TO CORE SUPPORT USING (4) 1/4-20 x 1" HEX BOLTS AND FLAT WASHERS AS SHOWN IN FIGURE 3.
- REINSTALL FAN SHROUD AND RADIATOR USING OEM HARDWARE AS SHOWN BELOW IN FIGURE 3.

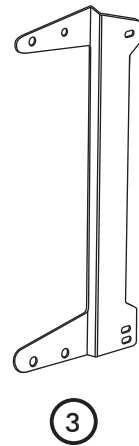
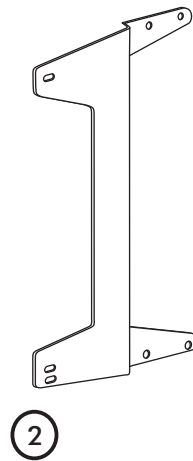
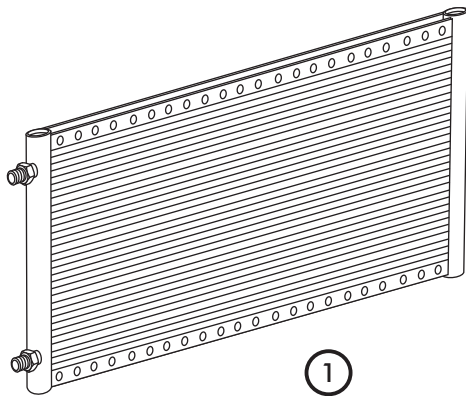




**CONDENSER KIT  
017069**

No.	QTY.	PART No.	DESCRIPTION	
1.	1	03765-VUC	SUPER FLOW CONDENSER 14" x 20"	_____
2.	1	642070	DRIVER SIDE CONDENSER BRACKET	_____
3.	1	642069	PASSENGER SIDE CONDENSER BRACKET	_____
4.	8	18260-VUB	10-24 NUT with STAR WASHER	_____
5.	8	18249-VUB	10-24 x 3/8" PAN HEAD SCREW	_____
6.	4	18290-VUB	1/4-20 x 1" HEX BOLT	_____
7.	4	18125-VUB	1/4" FLAT WASHER	_____
8.	4	18978-VUB	1/4" U-NUT	_____

CHECKED BY: \_\_\_\_\_  
 PACKED BY: \_\_\_\_\_  
 DATE: \_\_\_\_\_



④



⑤



⑥



⑦



⑧

