

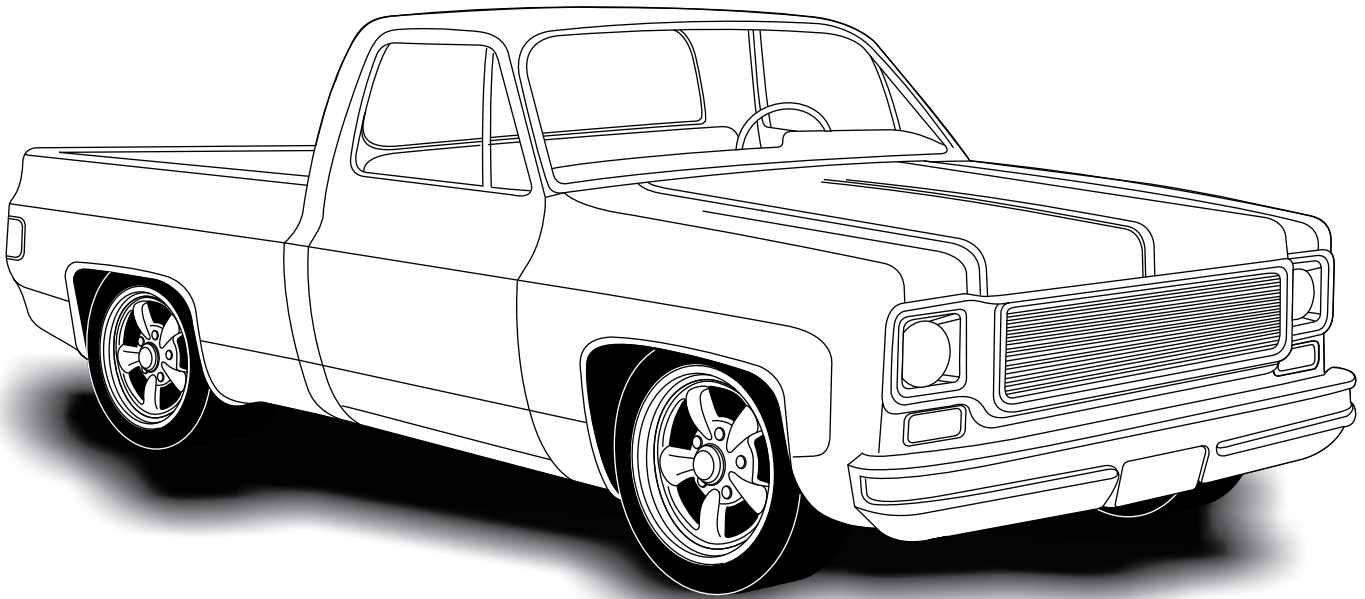


an ISO 9001:2008 Registered Company

1981-87 CHEV PICK-UP

CONDENSER KIT

026081



18865 GOLL ST. - SAN ANTONIO, TX. - 78266 ph.210-654-7171 - fax 210-654-3113



TABLE OF CONTENTS

PAGES

1. COVER
2. TABLE OF CONTENTS
3. PACKING LIST/PARTS DISCLAIMER
4. MOUNTING BRACKET INSTALLATION
5. CONDENSER INSTALLATION
6. PACKING LIST

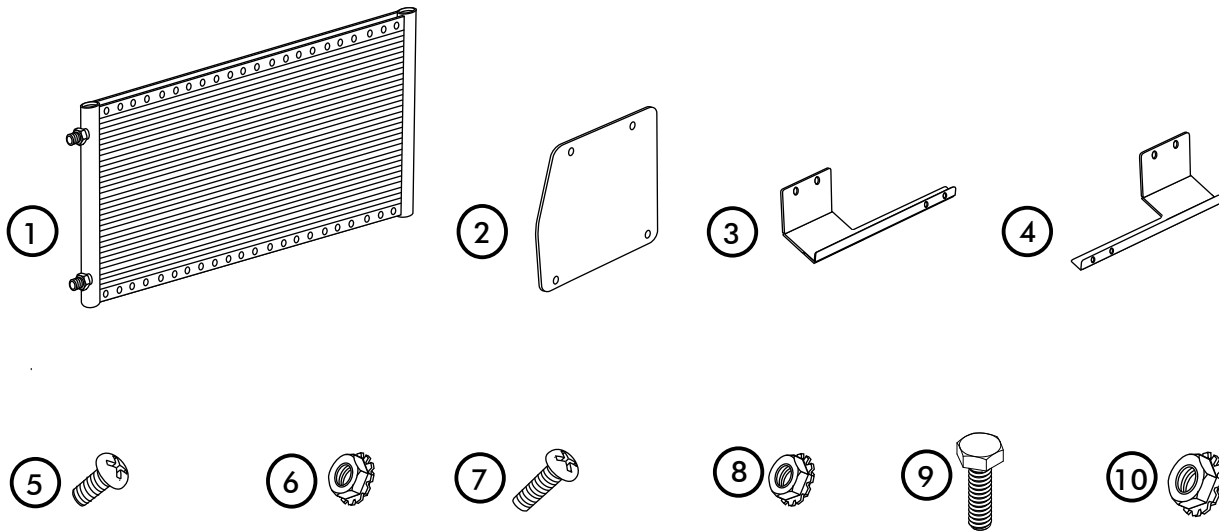


1981-87 CHEV PICK-UP CONDENSER KIT

**CONDENSER KIT
026081**

No.	QTY.	PART No.	DESCRIPTION
1.	1	03767-VUC	14" X 24" PARALLEL FLOW COND.
2.	1	644081	BRKT 81-87 CHEV P-UP COND TOP
3.	1	64313-LCB	81-87 CHEV P-UP COND BTM DRIVER
4.	1	64314-LCB	81-87 CHEV P-UP COND BTM PASS
5.	6	18249-VUB	10-24 X 3/8" PAN HEAD SCREW
6.	6	18260-VUB	10-24 NUT W/STAR WASHER
7.	4	18250-VUB	10-32 X 1/2" PAN HEAD SCREW
8.	4	18251-VUB	10-32 NUT W/STAR WASHER
9.	2	18287-VUB	1/4-20 X 1/2" HEX BOLT
10.	2	18152-VUB	1/4-20 HEX NUT W/STAR WASHER

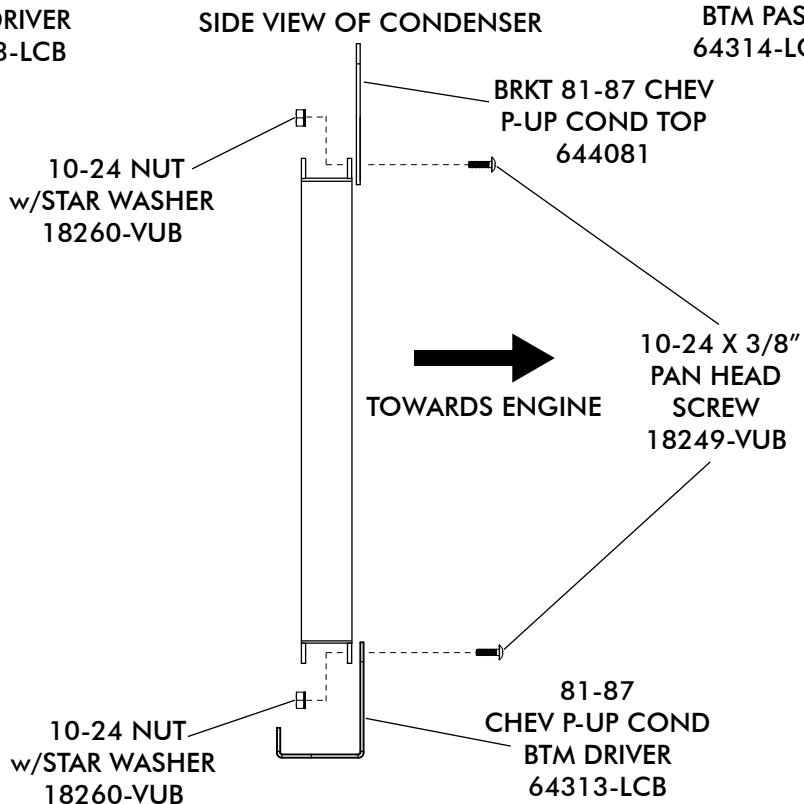
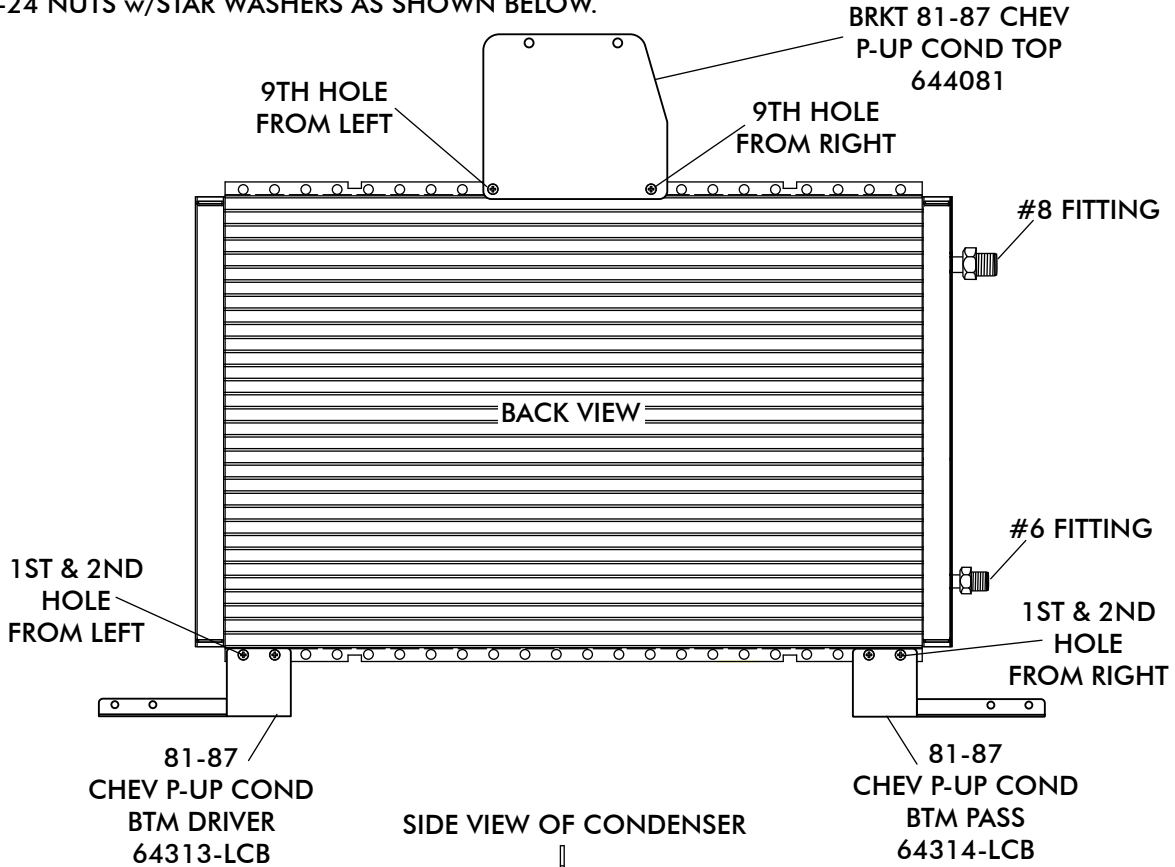
BEFORE BEGINNING INSTALLATION OPEN ALL PACKAGES AND CHECK CONTENTS OF SHIPMENT PLEASE REPORT ANY SHORTAGES DIRECTLY TO VINTAGE AIR WITHIN 15 DAYS. AFTER 15 DAYS, VINTAGE AIR WILL NOT BE RESPONSIBLE FOR MISSING OR DAMAGED ITEMS.





MOUNTING BRACKET INSTALLATION

- INSTALL MOUNTING BRACKETS ON TO CONDENSER USING 10-24 x 3/8" PAN HEAD SCREWS AND 10-24 NUTS w/STAR WASHERS AS SHOWN BELOW.

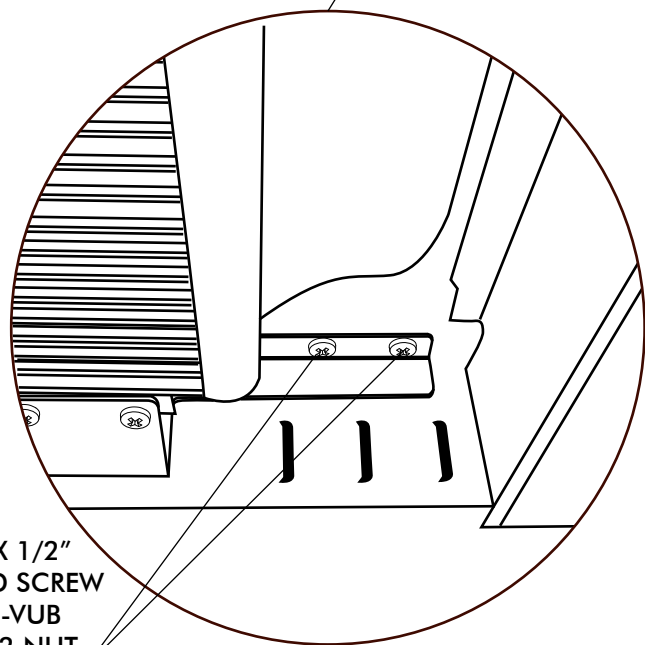
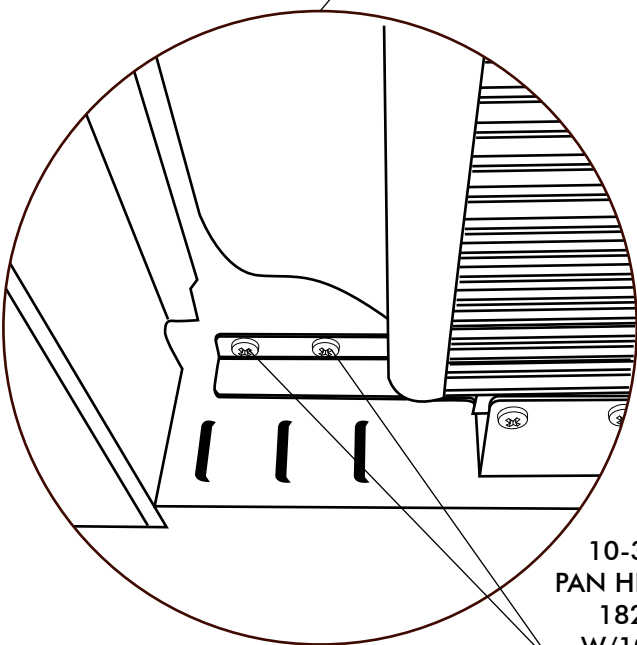
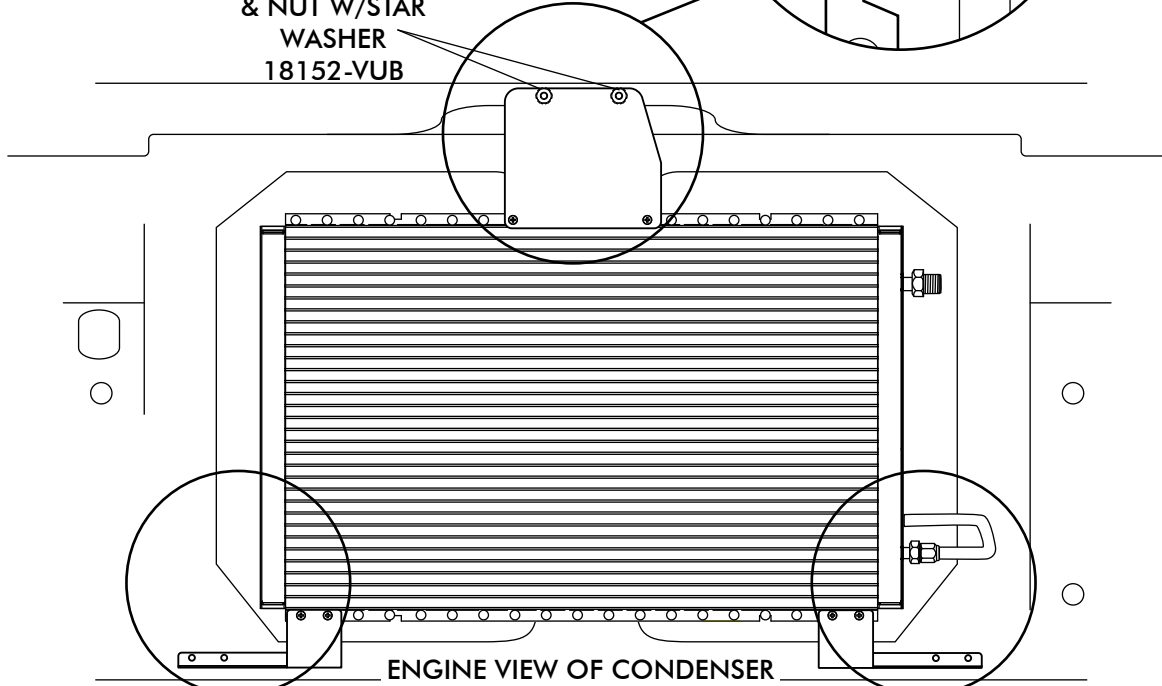
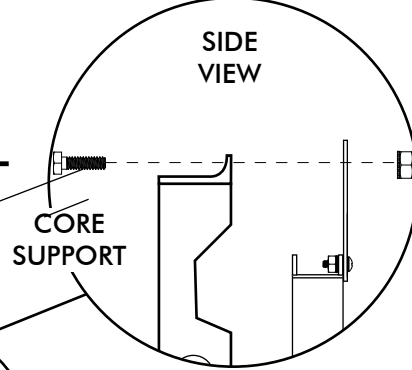




CONDENSER INSTALLATION

- INSTALL CONDENSER W/BRACKETS TO CORE SUPPORT AS SHOWN BELOW.

1/4-20 X 1/2"
HEX BOLT
18287-VUB
& NUT W/STAR
WASHER
18152-VUB



10-32 X 1/2"
PAN HEAD SCREW
18250-VUB
W/10-32 NUT
W/STAR WASHER
18251-VUB



1981-87 CHEV PICK-UP CONDENSER KIT

**CONDENSER KIT
026081**

No.	QTY.	PART No.	DESCRIPTION
1.	1	03767-VUC	14" X 24" PARALLEL FLOW COND.
2.	1	644081	BRKT 81-87 CHEV P-UP COND TOP
3.	1	64313-LCB	81-87 CHEV P-UP COND BTM DRIVER
4.	1	64314-LCB	81-87 CHEV P-UP COND BTM PASS
5.	6	18249-VUB	10-24 X 3/8" PAN HEAD SCREW
6.	6	18260-VUB	10-24 NUT W/STAR WASHER
7.	4	18250-VUB	10-32 X 1/2" PAN HEAD SCREW
8.	4	18251-VUB	10-32 NUT W/STAR WASHER
9.	2	18287-VUB	1/4-20 X 1/2" HEX BOLT
10.	2	18152-VUB	1/4-20 HEX NUT W/STAR WASHER

CHECKED BY: _____
 PACKED BY: _____
 DATE: _____

