



**QUALITY... PLAIN & SIMPLE®**

**Throttle Cable Installation Instructions**  
Part# TC-1000HT & TC-1000U

**General Installation Notes:**

Please read instructions completely before beginning installation. If you have any questions please don't hesitate to call. (Toll Free 1-877-469-7440)

Do not attempt to install or adjust Throttle Cable or Kickdown kit while engine is running.

We recommend using an anti-seize lubricant on all aluminum nuts before final tightening.

Cut housing by using diagonal cutters, Lineman pliers or taping the housing and using a fine-tooth hacksaw. Klein diagonal cutters, part no. D2000-28 (available at Grainger's, part no. 4A838) work best.

**Throttle Cable Installation**

**Step 1:** Install throttle pedal in desired location.

**Step 2:** Mount Firewall fitting in line with hole in clevis on throttle, or with hole in factory-type pedal. Diameter of hole in firewall should be 5/16".

**Step 3:** Install throttle cable bracket on carb and then install cable housing adjuster onto bracket.

**Step 4:** Measure distance between fitting on bracket and fitting on firewall, add 2" to measurement and cut outer housing. Note: Cable housing must not be straight between fittings. You must allow for engine movement. **DO NOT remove ferrule when cutting housing.** Be sure to slide ferrule back.

# Throttle Cable Installation Instructions

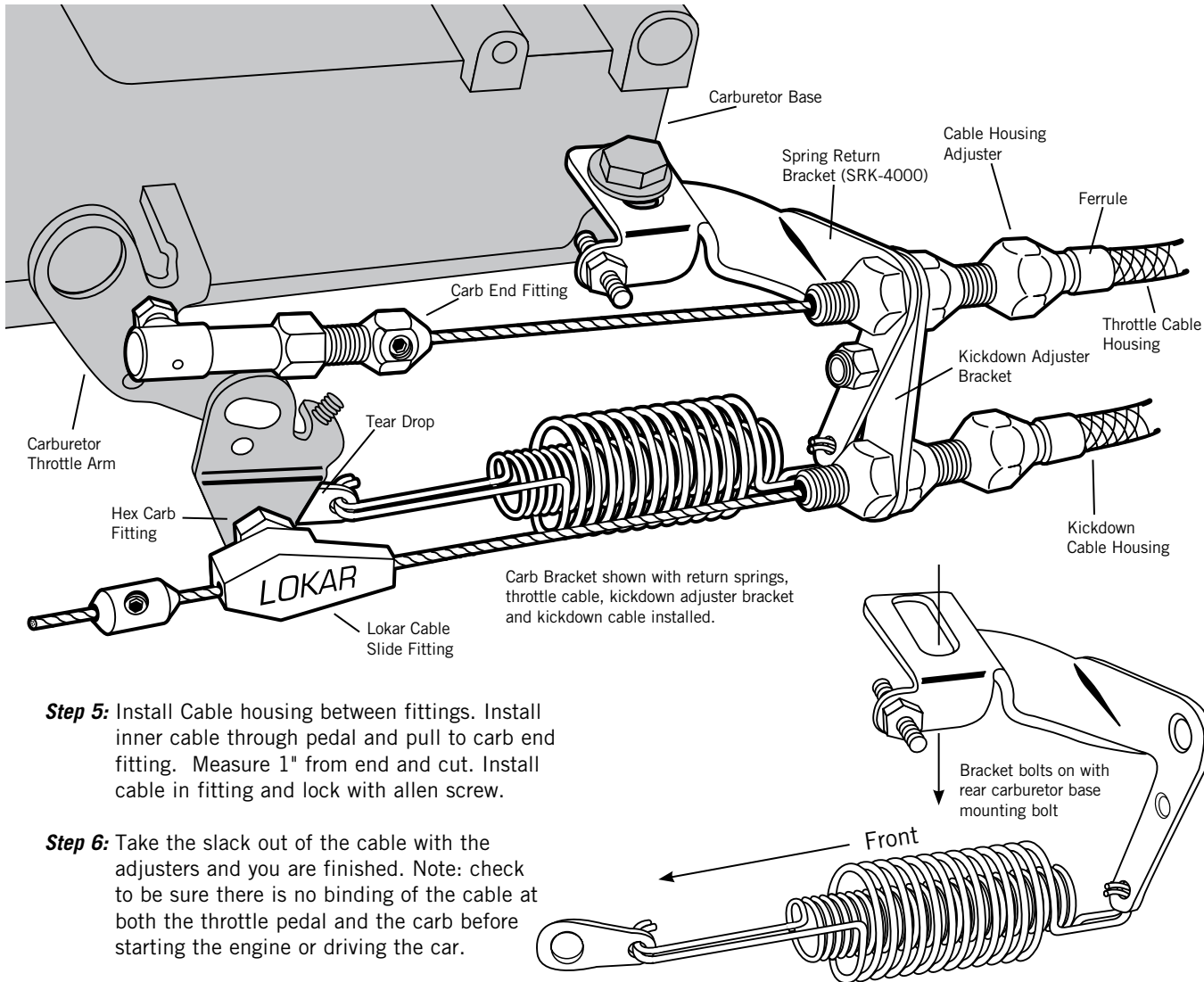
Part# TC-1000HT & TC-1000U

**Building American Quality... With A Lifetime Warranty!®**

10924 Murdock Dr. • Knoxville, TN 37932

TOLL FREE 1-877-469-7440 • (865) 966-2269 • FAX (865) 671-1999 • tech@lokar.com • www.lokar.com

Stainless Steel Carburetor Bracket and Return Springs - Part# SRK4000



**Step 5:** Install Cable housing between fittings. Install inner cable through pedal and pull to carb end fitting. Measure 1" from end and cut. Install cable in fitting and lock with allen screw.

**Step 6:** Take the slack out of the cable with the adjusters and you are finished. Note: check to be sure there is no binding of the cable at both the throttle pedal and the carb before starting the engine or driving the car.