



## ANALOG STYLE AIR/FUEL WIDEBAND O2 GAUGE INSTRUCTIONS

P/N **553-168** – 2-1/16" 8.5-18 (Black)  
P/N **553-168W** – 2-1/16" 8.5-18 (White)

Holley EFI fully standalone unit provides accurate air/fuel ratio measurement along with 0-5 volt reference input for all carbureted and EFI fuel systems. Kit utilizes a Bosch LSU 4.9 wideband O2 sensor.

### Parts Included:

\* 2-1/16" 8.5-18 gauge                      \* 6-pin gauge to O2 sensor harness (5-foot length)                      \* Wideband O2 sensor

### Installation Instructions:

1. Disconnect the negative (-) battery cable from the vehicle battery.
2. Mount gauge in desired location. Use included spin lock ring to mount in dash panel. Connect wiring harness to the gauge.
3. Install O2 sensor. Connect wires or harnesses as shown in **Figures 1 and 2**. **NOTE: Power needs to be hooked up to switched source not common with other accessories.**
4. Reconnect negative (-) battery cable.

### Mounting the O2 Sensor -4.9:

**Figure 2** shows the range of acceptable O2 sensor mounting positions. A vertical position can get too hot in confined spaces. A horizontal position can cause condensation to drip onto the sensor. It is recommended the sensor be installed between 15 degrees from the vertical, and 10 degrees from the horizontal. In all cases the sensor should be perpendicular to the gas flow, i.e. the bung should sit square over the pipe - this ensures adequate (but not an excessive) amount of gas enters the sensor.

### Setting LED Warning Zone: (warning light version ONLY)

1. With gauge powered off, press and hold the button and provide power to gauge. Once LED turns on, release button.
2. Pointer will slowly scan clockwise from a full rich condition on the dial. Press and release button at desired rich set point. LED will blink to indicate the rich warning zone has been set.
3. Pointer will now travel to full lean condition on dial, and slowly scan counterclockwise. Press and release button at desired lean set point. LED will blink to indicate the lean warning zone has been set.

### Setting LED Brightness for both Day and Night:

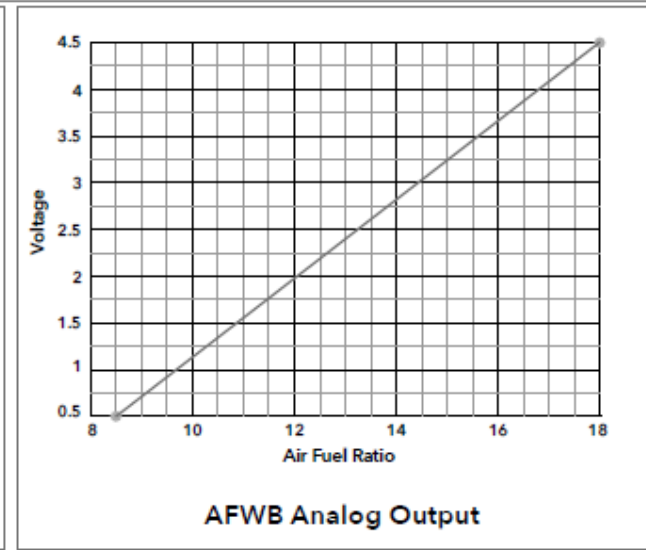
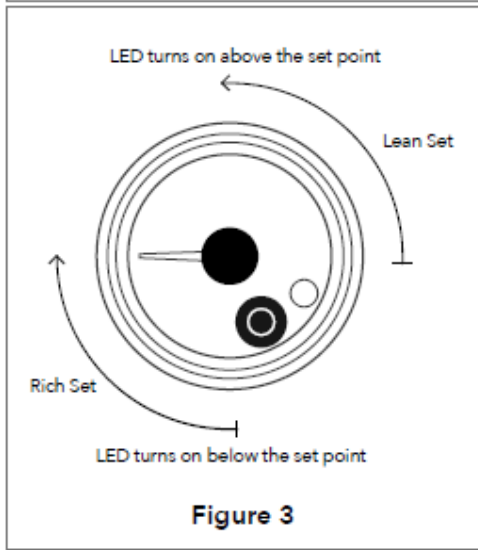
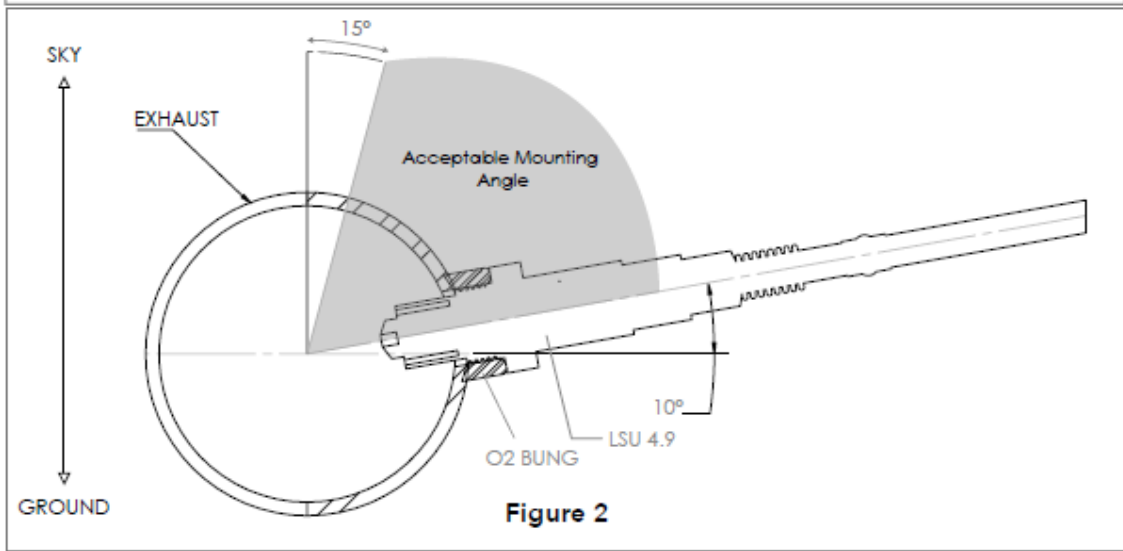
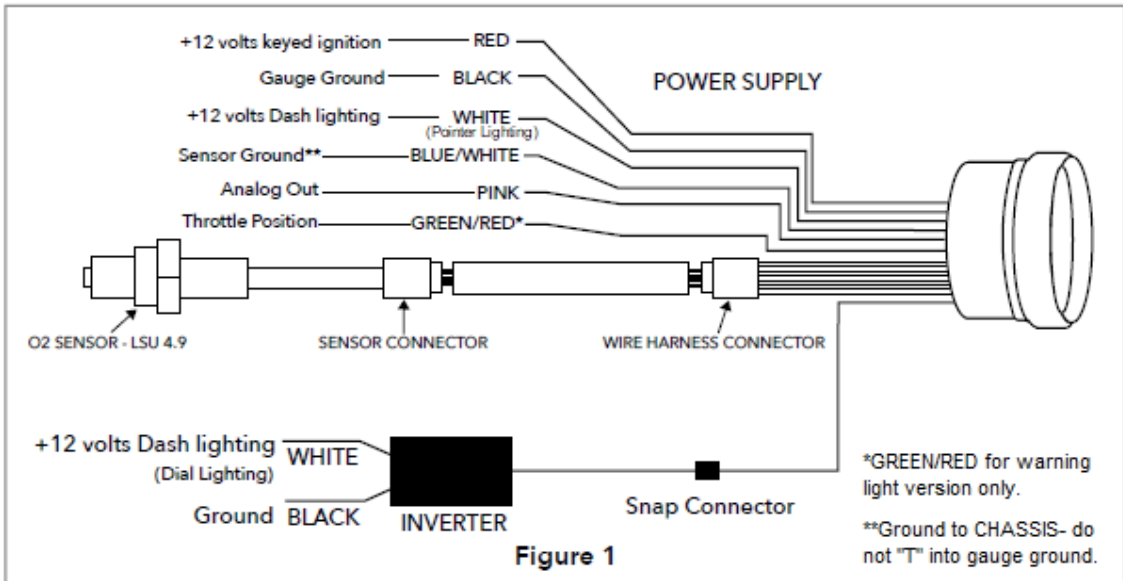
While gauge is powered on, press and release the button to show current LED brightness. To change LED brightness, press and release the button to advance through brightness levels. LED brightness will loop through 5 possible brightness settings (including off) as the button is pressed. At the desired LED brightness, release the button and wait three seconds. Gauge LEDs will blink indicating the brightness setting has been saved.

**NOTE: Setting the brightness level when gauge lighting is on, will set the night brightness level. Setting the brightness level when gauge lighting is off will set the day brightness level.**

### Maximum Lean Recall: (warning light version ONLY)

Press and hold gauge button down for two seconds. The gauge needle will point to the maximum lean value the gauge has seen. Gauge will continue to point to this value as long as the button is pressed.

- **To Retain Maximum Lean Reading** - Release the button and wait five seconds.
- **To Clear Maximum Lean Reading** - Release button and immediately press and release again within five seconds.



Holley Technical Support: 1-866-464-6553

© 2019 Holley Performance Products, Inc. All rights reserved. Tous Droits Réservés.

199R11814  
Date: 4-10-19