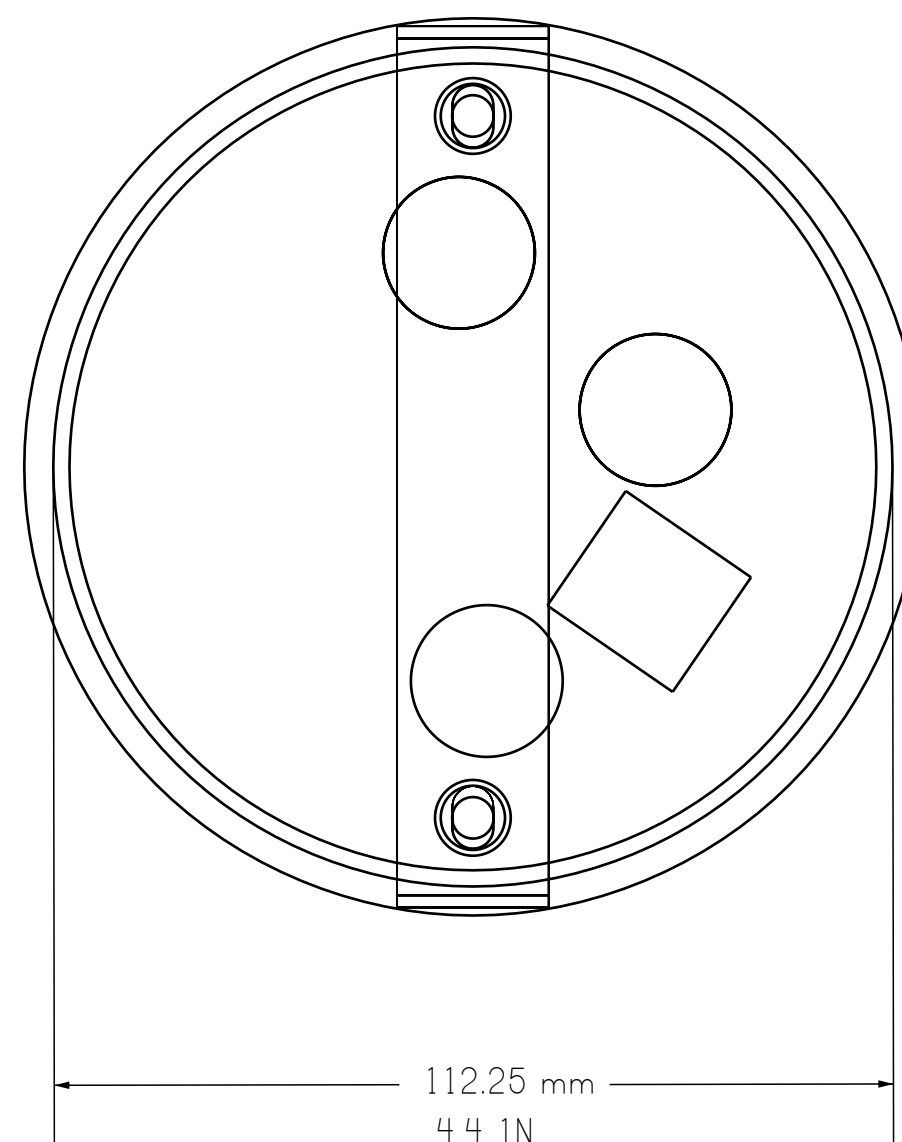
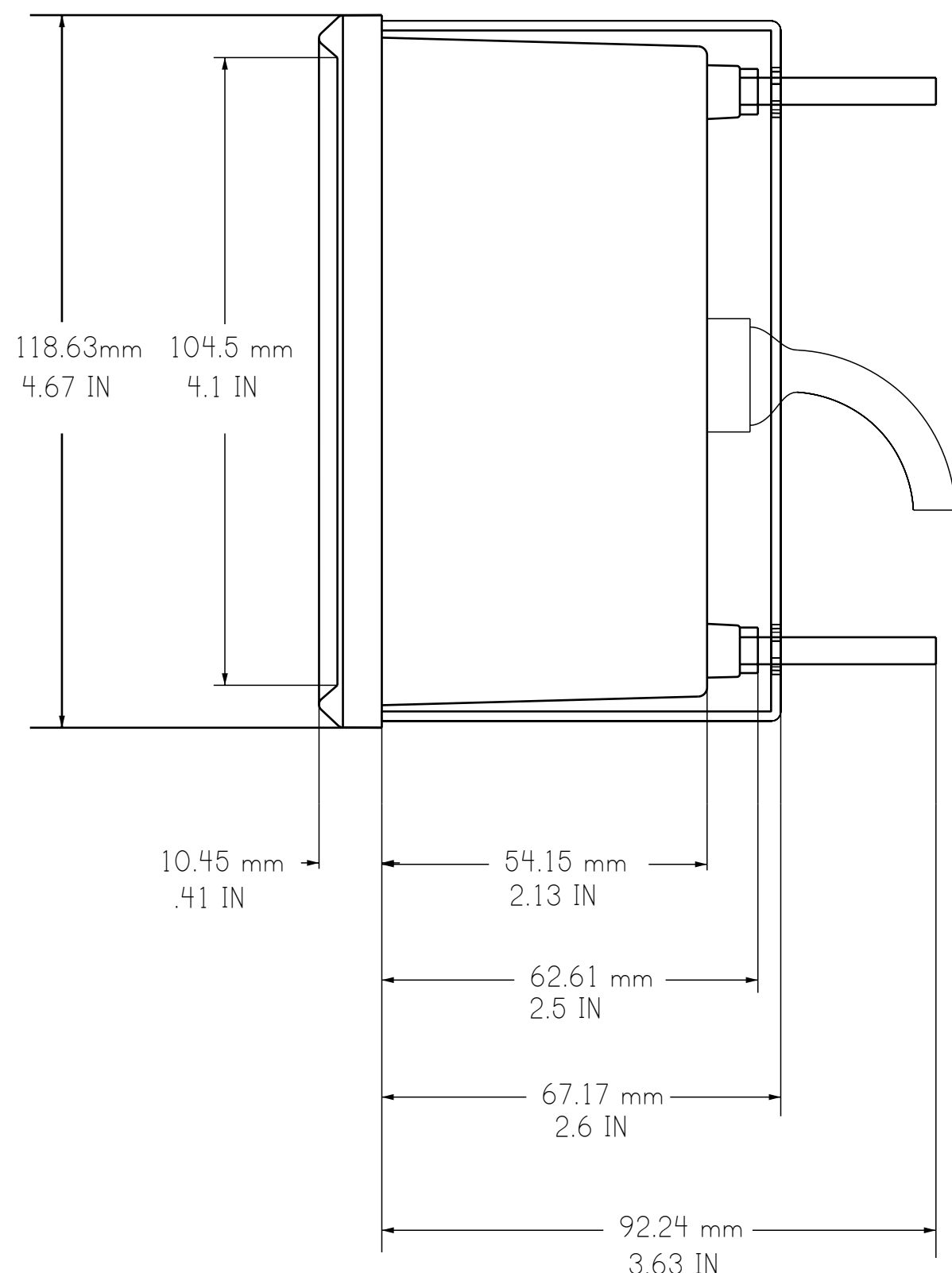
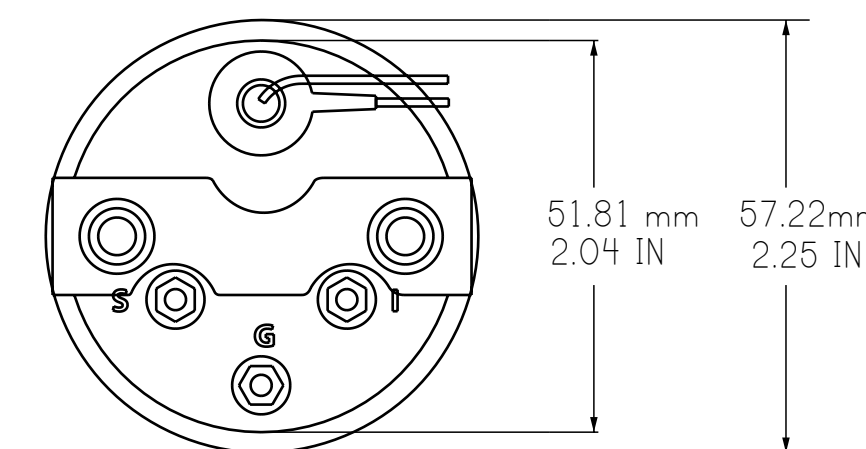
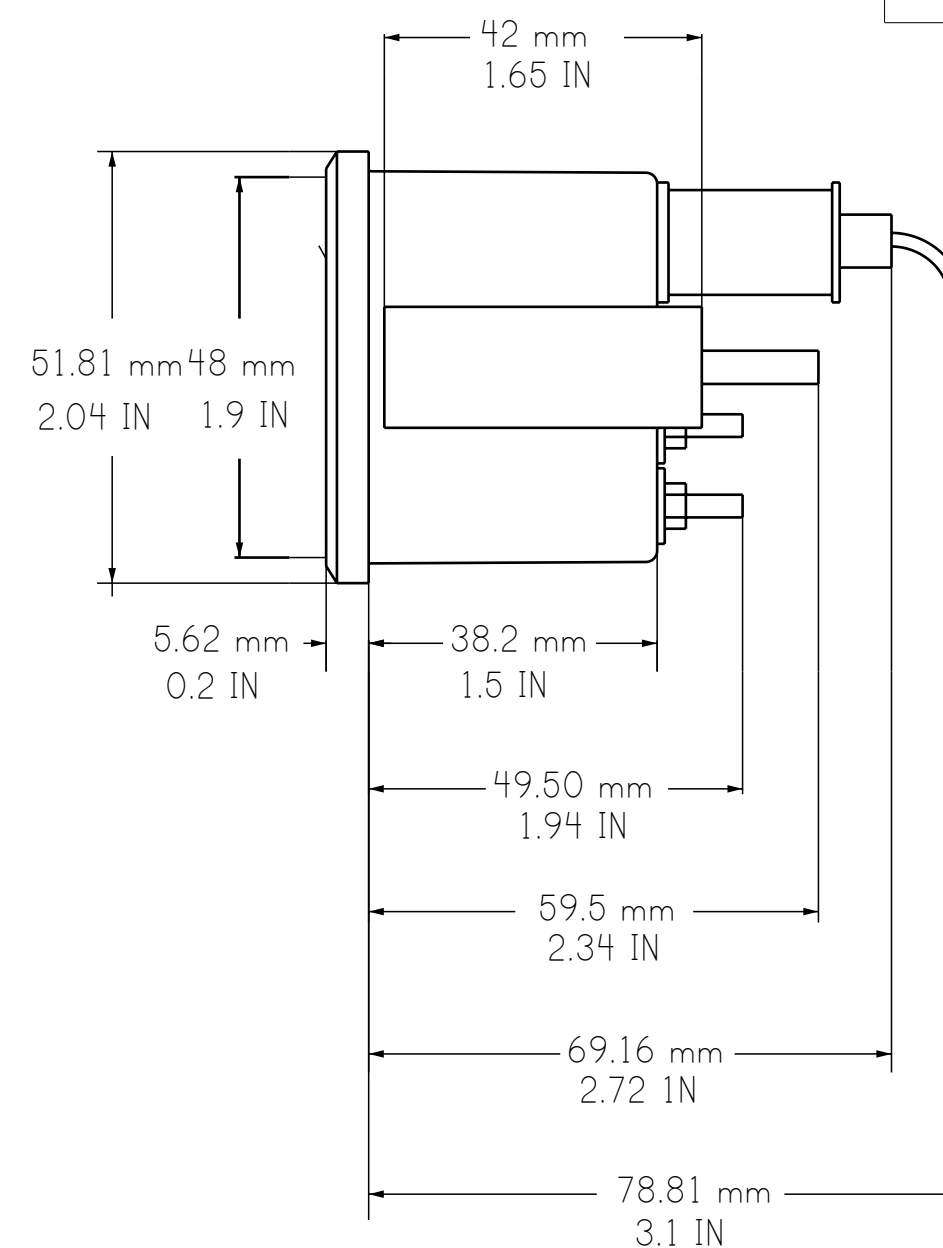


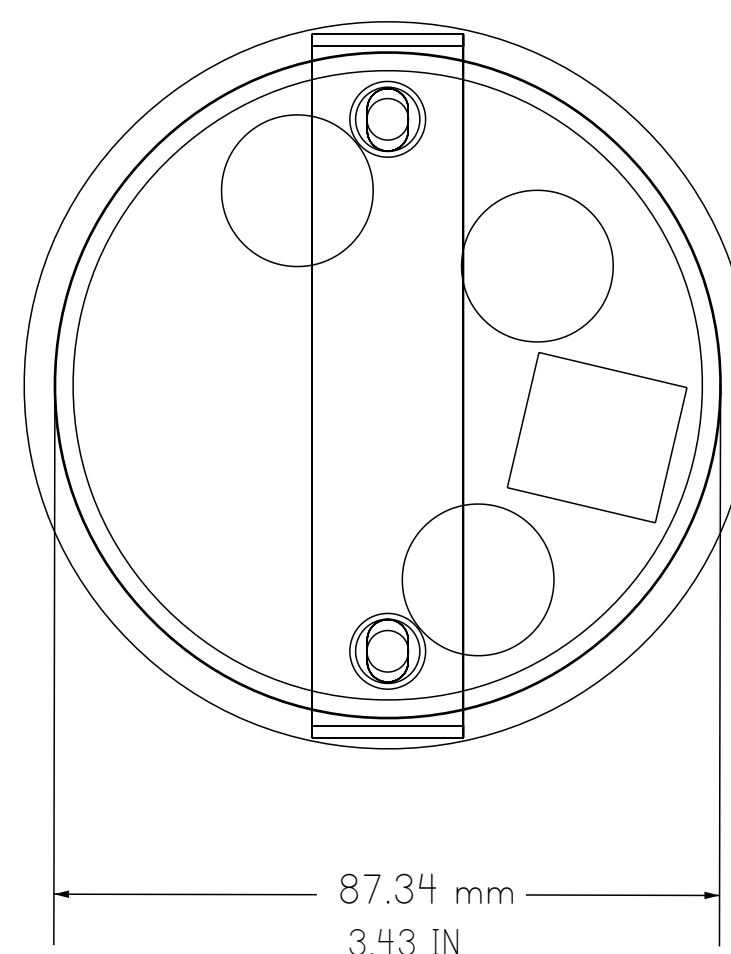
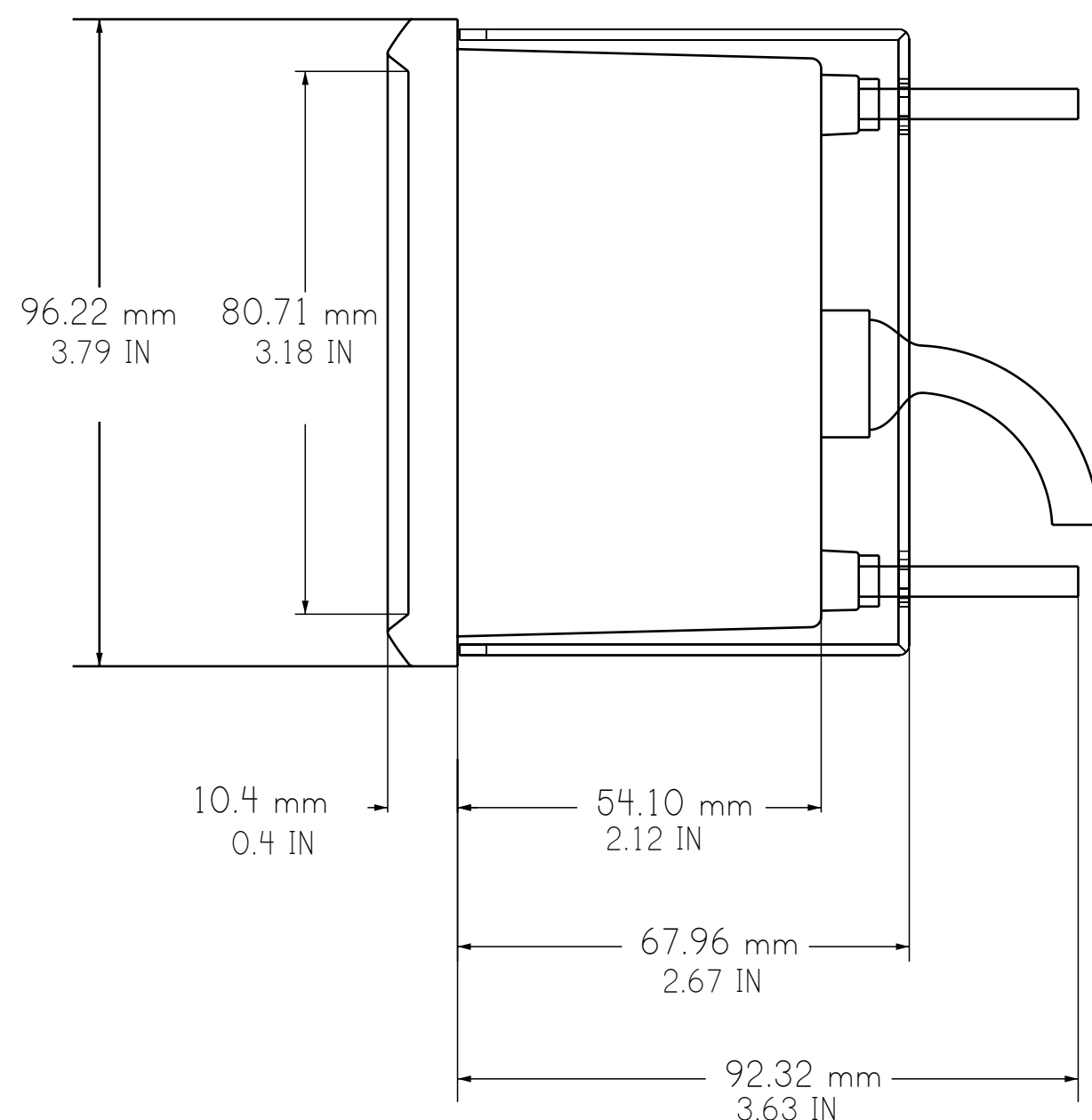
REV.	E.C.R.	DESCRIPTION	BY	DATE



4-3/8" GAUGES
 4-3/8" MOUNTING HOLE (TIGHT)
 LOOSE MOUNTING HOLE 4-7/16"
 4-11/16" O.D.
 3-5/8" DEEP



2" GAUGES
 (SHORT SWEEP)
 2-1/16" MOUNTING HOLE
 2-1/4" O.D.
 3-1/16" DEEP



3-3/8" GAUGES
 3-7/16" MOUNTING HOLE
 3-3/4" O.D.
 3-5/8" DEEP

NOTES:
 STAINLESS POLISHED OR FLAT BLACK ALUMINUM BEZELS AVAIL.
 DOMED OR FLAT GLASS AVAILABLE
 CASE MATERIAL: NYLON/POLYCARBONATE
 BACK CLAMP MATERIAL: ALUMINUM
 SEE INSTRUCTION BOOKLET FOR PIN-OUTS AND LIGHTING

THIS DRAWING IS THE PROPERTY OF THE INFORMATION CONTAINED IN THIS DRAWING IS CONFIDENTIAL.	I	I	SEE BOM			SEE ROUTER
	ITEM	QTY.	MATERIAL			DESCRIPTION
THIS DRAWING AND THE INFORMATION CONTAINED IN THIS DRAWING MAY NOT BE COPIED OR USED, IN WHOLE OR IN PART, WITHOUT THE PRIOR WRITTEN PERMISSION OF NEW VINTAGE. COPYRIGHT ALL RIGHTS RESERVED			APP'D	CH'D	DR'N.	TOLERANCE (UNLESS NOTED)
			XX	XX	JC	1 PLACE ±.010 IN. 2 PLACE ±.008 IN. 3 PLACE ±.002 IN.
	PART NAME PHOENIX PLATFORM HARD OUTER DIMS					ANGULAR: GEOMETRY ±0.5° AND CHAMFER/COUNTERSINK ±1°
	FILE NAME PHOENIX-DIMS.PDF					
	SCALE	DATE	HARDNESS	PAPER SIZE	REV.	
	1:1 (100%)	03/22/2018	AS SUPPLIED	A	A	SHEET NO. 1 OF 1