



2650-158X-10 Rev. M

INSTALLATION INSTRUCTIONS

BRAIDED STAINLESS STEEL PRESSURE HOSE

MODELS: 3227, 3228, 3229, 3234, 3235, 3236

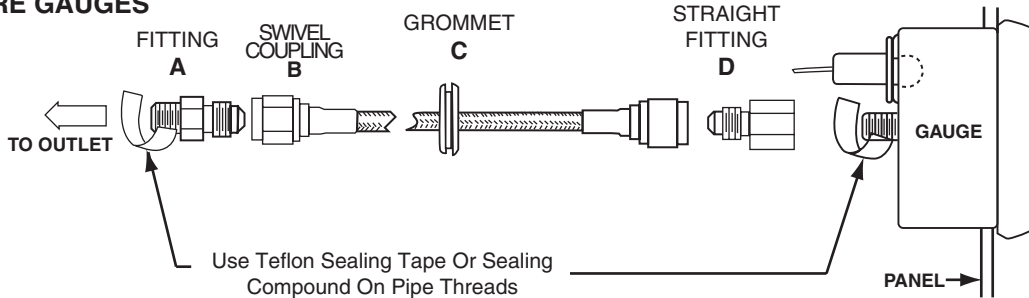
BRAIDED KEVLAR® PRESSURE HOSE

MODELS: 3265, 3266, 3267, 3268, 3269



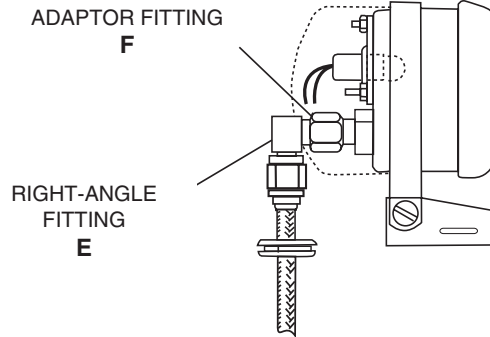
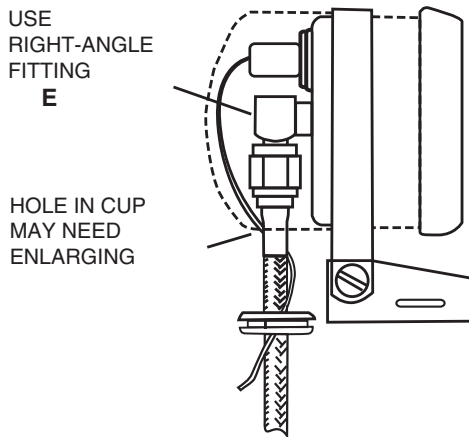
FOR PANEL OR IN-DASH MOUNTING ALL MECHANICAL PRESSURE GAUGES

WARNING: Do Not overtighten aluminum fittings. This will damage fittings.



FOR CUP MOUNTING MECHANICAL PRESSURE GAUGES- CUP MODELS 3201 & 3202

FOR CUP MOUNTING LIQUID-FILLED MECHANICAL PRESSURE GAUGES- CUP MODELS 5201 & 5202



1. Attach fitting (A) to vehicle outlet using teflon sealing tape. (Tape not included)
2. Attach pressure hose swivel coupling (B) to fitting (A).
3. If routing through the firewall, drill a 3/4" diameter hole and use rubber grommet (C). Slit grommet to fit over hose.
4. Attach fitting (D), (E), or (F) to gauge using teflon sealing tape or sealing compound on pipe threads.

(D) : Straight fitting for PANEL mounting.
 (E) : Right-angle fitting for MOUNTING CUP installation (Competition Gauges).
 (E & F) : Right-angle fitting and adaptor fitting (Pro-Comp liquid filled gauges).

5. Attach pressure hose to fitting (D) or (E) on gauge.
6. Start engine and check for leaks. Tighten if necessary.

IMPORTANT: When tightening, be sure to not overtighten aluminum fittings.
 To remove pressure hose, always loosen swivel coupling first.

12 MONTH LIMITED WARRANTY

Auto Meter Products, Inc. warrants to the consumer that all Auto Meter High Performance products will be free from defects in material and workmanship for a period of twelve (12) months from date of the original purchase. Products that fail within this 12 month warranty period will be repaired or replaced at Auto Meter's option to the consumer, when it is determined by Auto Meter Products, Inc. that the product failed due to defects in material or workmanship. This warranty is limited to the repair or replacement of parts in the Auto Meter instruments. In no event shall this warranty exceed the original purchase price of the Auto Meter instruments nor shall Auto Meter Products, Inc. be responsible for special, incidental or consequential damages or costs incurred due to the failure of this product. Warranty claims to Auto Meter must be transportation prepaid and accompanied with dated proof of purchase. This warranty applies only to the original purchaser of product and is non-transferable. All implied warranties shall be limited in duration to the said 12 month warranty period. Breaking the instrument seal, improper use or installation, accident, water damage, abuse, unauthorized repairs or alterations voids this warranty. Auto Meter Products, Inc. disclaims any liability for consequential damages due to breach of any written or implied warranty on all products manufactured by Auto Meter.