

INSTALLATION INSTRUCTIONS
3³/₄" TACHOMETER

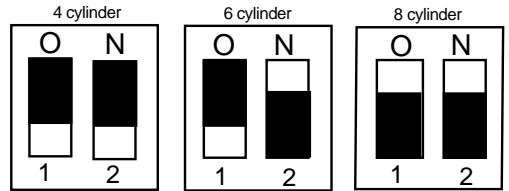
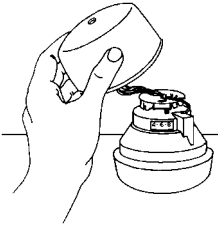
For use on 4, 6, or 8 cylinder engines with standard ignitions
This product not valid for race contingency money.
MODEL 2300, 2301, 2302, 2303, 2304, 2309



Engine Cylinder Adjustments

This tachometer is factory calibrated for 8 cylinder engines. For operation on 4 or 6 cylinder engines, a switch adjustment must be made.

1. Remove cup by placing the tachometer face down on a smooth surface. Remove the phillips screw on the back and gently lift the cup off to expose the circuit board. Take care not to pull on the wires.
2. Locate the switch on the circuit board. Move each of the two switches to the proper cylinder selection according to the diagram illustration on the right.



- 4 Cyl.- Both switches down
- 6 Cyl.- Switch #1 down. Switch #2 up
- 8 Cyl.- Both switches up

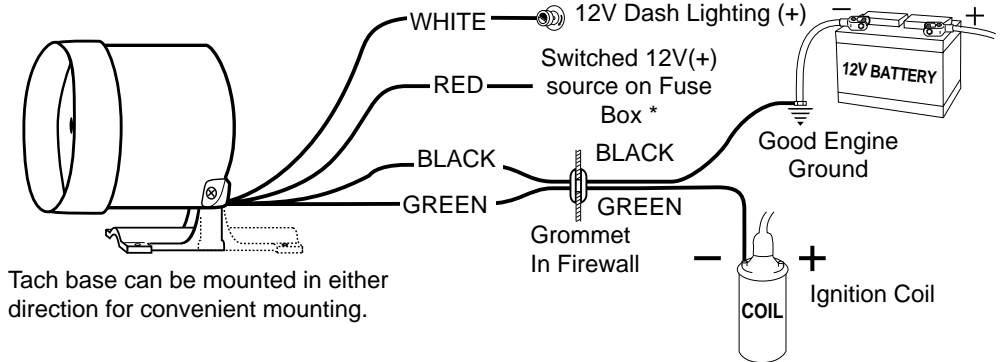
3. Replace the case on the tach with mounting bracket at the bottom (make sure the wires are clear of the screw hole).
4. Replace the screw.

Wiring

Connect the tachometer wires as shown. The wiring diagram shown is a typical installation.

Figure A

For Chrysler Blue, Gold and Silver Boxes, Ford Standard Electronic ignitions, and most other OEM Standard, CD and Electronic ignitions.



Tach base can be mounted in either direction for convenient mounting.

Figure B

For ignitions that provide a tach terminal (except MSD-5).

IMPORTANT
Warranty will be void if connected to coil on MSD capacitive ignition

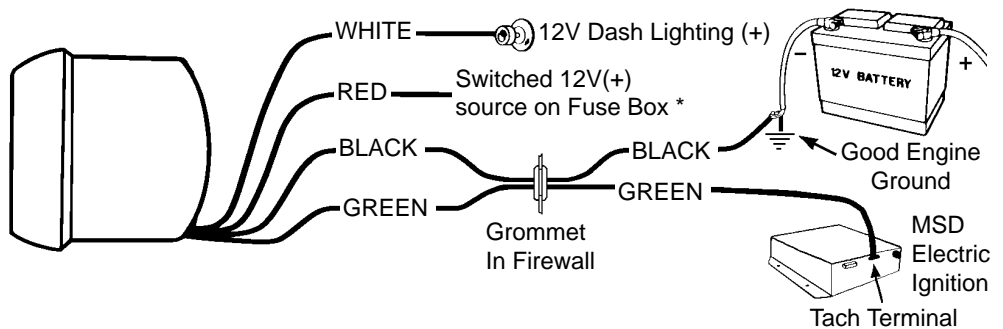
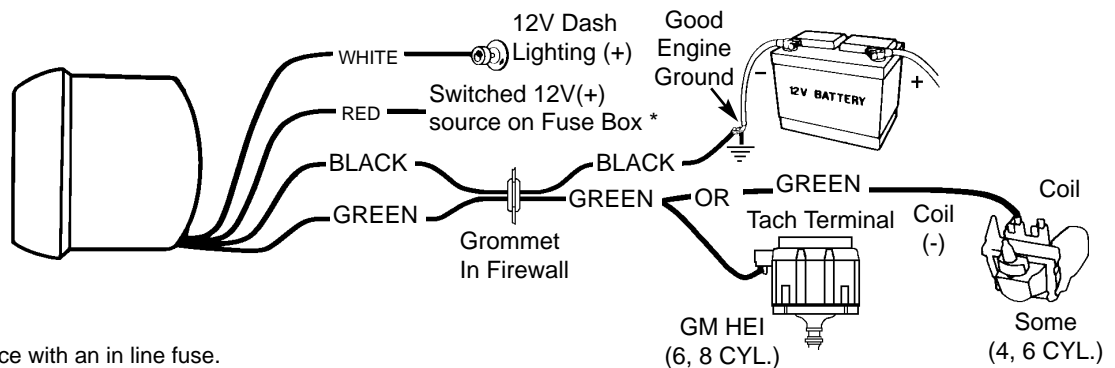


Figure C

For GM HEI ignitions.

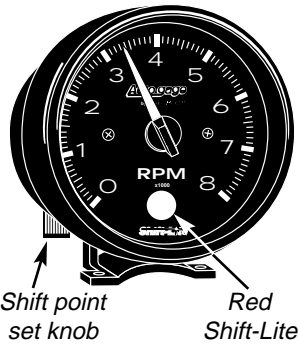


*Optional: Wire to a switched 12V source with an in line fuse.

Shift-Lite Operation

(Models 2302 & 2309)

To operate the Auto gage Shift-Lite tachometer, first determine your engine's shift point for max. horsepower (for example, 3400 rpm). Turn on the power to the tach. Set the desired RPM by turning the adjust knob on the back of the tach, the pointer will move. Stop when it reaches the desired shift point. Turn the power off. The tach will now use the selected shift point, until set differently. When the tachometer reaches your set point, the red shift light will come on. It will stay on until the engine speed drops below the set point.



* **Note:** If the engine is running, the shift point can't be set.

* **Note:** The shift point setting can be checked anytime the vehicle is started. Turn the ignition on and the shift point setting will show on the dial.



Model 2309

The Auto gage 2302 & 2309 tachometers works on the following ignitions:

Chrysler Blue Box
Chrysler Gold Box
Chrysler Silver Box

Ford Standard Electronic
MSD (with tach terminal)
Most other OEM standard
GM HEI CD, and electronic ignitions.

Accel Laser I & II, and BEI ignitions are compatible with the Auto gage model 2302 tachometer when used with Auto Meter Model 5215 BEI/Laser Adapter. Laser II with date code of 8100 or higher do not require adapter and use Figure B for hook-up.

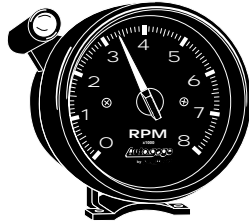
Special Note

Your model 2302 tachometer operates off your car's ignition. Problems such as bouncing ignition points, bad plug wires, defective ignition capacitor, or arcing distributor cap may cause erratic readings on your tachometer. To insure steady, accurate readings, make necessary adjustments to your ignition.

Use a 12 volt 2 watt bulb (Model 3217) as a replacement bulb for night lighting.

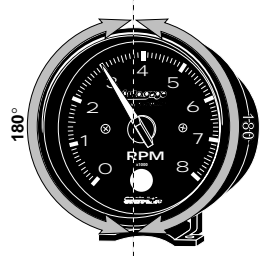
Shift-Lite Cover

IMPORTANT: The 2309 Tachometer Shift-Lite is designed for maximum brightness during daylight use. This may be too bright for night driving. A yellow bulb cover is included to reduce the brightness for night driving.



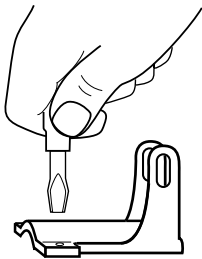
Dial Rotation

The dial can be rotated for optimum legibility. Loosen the screw at the center back of the cup, turn the bezel, then re-tighten the screw. Rotate dial no more than 180° in either direction. If binding is felt, remove cup and reposition wires.



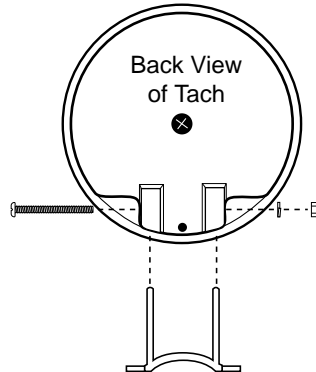
Mounting

1. Mount the tachometer base in the desired location with the screws provided. When selecting a location for the base, be sure the tachometer can be adjusted to the proper position.



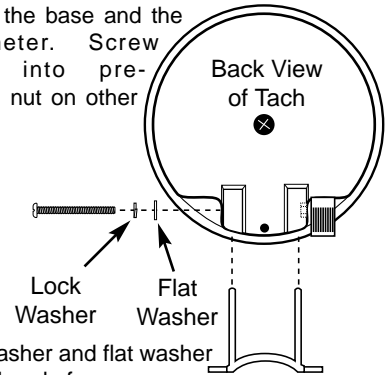
Models 2300, 2301, 2303, & 2304

- 2a. Mount tachometer to base. Place tachometer on mounting base and slide screw through base and tachometer, tighten on opposite side with washer and nut provided.



Models 2302 & 2309

- 2b. Mount the tachometer to the base. Place the tachometer on the mounting base and slide the screw through the lock washer and flat washer as shown. Then slide through the base and the tachometer. Screw tightly into pre-installed nut on other side.



***Note:** Lock washer and flat washer must be underhead of screw.

Auto gage SERVICE

For service send your product to Auto Meter in a well packed shipping carton. Please include a note explaining what the problem is along with your phone number. Please specify when you need the product back. If you are sending product back for Warranty adjustment, you must include a copy (or original) of your sales receipt from the place of purchase.

12 MONTH LIMITED WARRANTY

Auto Meter Products, Inc. warrants to the consumer that all Auto Meter High Performance products will be free from defects in material and workmanship for a period of twelve (12) months from date of the original purchase. Products that fail within this 12 month warranty period will be repaired or replaced at Auto Meter's option to the consumer, when it is determined by Auto Meter Products, Inc. that the product failed due to defects in material or workmanship. This warranty is limited to the repair or replacement of parts in the Auto Meter instruments. In no event shall this warranty exceed the original purchase price of the Auto Meter instruments nor shall Auto Meter Products, Inc. be responsible for special, incidental or consequential damages or costs incurred due to the failure of this product. Warranty claims to Auto Meter must be transportation prepaid and accompanied with dated proof of purchase. This warranty applies only to the original purchaser of product and is non-transferable. All implied warranties shall be limited in duration to the said 12 month warranty period. Breaking the instrument seal, improper use or installation, accident, water damage, abuse, unauthorized repairs or alterations voids this warranty. Auto Meter Products, Inc. disclaims any liability for consequential damages due to breach of any written or implied warranty on all products manufactured by Auto Meter.

FOR SERVICE SEND TO: **AUTO METER PRODUCTS, INC.** 413 W. Elm St., Sycamore, IL 60178 USA (815) 895-8141

Email us at service@autometer.com