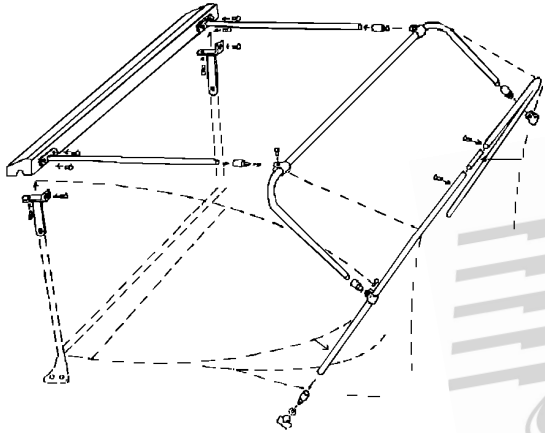


# INSTRUCTIONS

916-55801

©Speedway Motors, Inc. 2006

## DELUXE TOP BOW KIT



<u>ID</u>	<u>QNTY</u>	<u>DESCRIPTION</u>
A	2	Head Board Bracket
B	1	Hardwood head board
C	8	Screws
D	2	Horizontal strut
E	6	Chrome steel socket (must drill 2 of these out to 5/16" holes).HINT: Use sharp bits and put masking tape over chrome before drilling.
F	1	Main top bow
G	4	Chrome steel socket receiver
H	1	Rearbow extension insert
J	2	Rear bow extension
K	2	Bolts and fender washers
L	2	Dome-shaped body spacers
M	2	Star lock washers
N	2	Chrome steel wing nuts

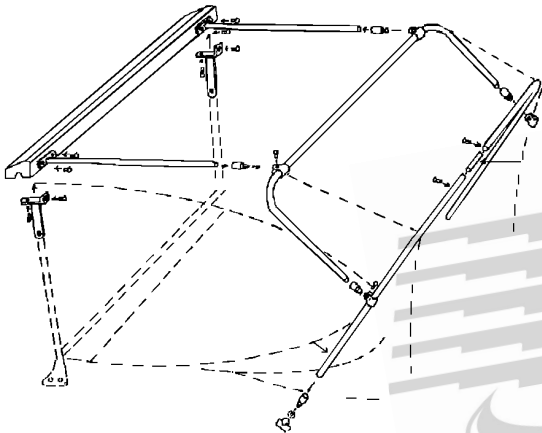
Please note: Body is sandwiched between fender washers and dome-shaped body spacers.

# INSTRUCTIONS

916-55801

©Speedway Motors, Inc. 2006

## DELUXE TOP BOW KIT



<u>ID</u>	<u>QNTY</u>	<u>DESCRIPTION</u>
A	2	Head Board Bracket
B	1	Hardwood head board
C	8	Screws
D	2	Horizontal strut
E	6	Chrome steel socket (must drill 2 of these out to 5/16" holes).HINT: Use sharp bits and put masking tape over chrome before drilling.
F	1	Main top bow
G	4	Chrome steel socket receiver
H	1	Rearbow extension insert
J	2	Rear bow extension
K	2	Bolts and fender washers
L	2	Dome-shaped body spacers
M	2	Star lock washers
N	2	Chrome steel wing nuts

Please note: Body is sandwiched between fender washers and dome-shaped body spacers.

# IMPORTANT

## Shortages May Result From...

**Damage, scratches, breakage, pilferage, or loss in transit.** If this happens, *you should immediately file a claim with the carrier.* When your merchandise leaves our door, we entrust it to the carrier. The carrier assumes all liability.

**Removal of merchandise prior to delivery.** Please check the contents of the carton in the presence of the delivery agent! Be sure to check each item against those listed on the packing slip.

**Mistakenly discarding merchandise with packing material, or overlooking it.** Check content carefully.

Note: All orders shipped are nonreturnable without written permission from Speedway. When requesting a merchandise return, please include the following.

- Reason for merchandise return request
- Invoice number (and purchase order number, if any)
- Date of return request
- Date of purchase

Upon receiving this information and assuming it is correct, permission will then be granted for return. All returned merchandise (except defective, or incorrect shipment) are subject to a 15% handling charge or direct exchange for other parts.

Remember...No allowance will be made for any shortage or damage unless we receive correct notification (see above for details), within fifteen (15) days for delivery.

Legal in California for racing vehicles only, not street legal.

**Speedway Motors Inc., P.O. Box 81906  
Lincoln, NE 68501 (402) 323-3200  
www.speedwaymotors.com**

## Shortages May Result From...

**Damage, scratches, breakage, pilferage, or loss in transit.** If this happens, *you should immediately file a claim with the carrier.* When your merchandise leaves our door, we entrust it to the carrier. The carrier assumes all liability.

**Removal of merchandise prior to delivery.** Please check the contents of the carton in the presence of the delivery agent! Be sure to check each item against those listed on the packing slip.

**Mistakenly discarding merchandise with packing material, or overlooking it.** Check content carefully.

Note: All orders shipped are nonreturnable without written permission from Speedway. When requesting a merchandise return, please include the following.

- Reason for merchandise return request
- Invoice number (and purchase order number, if any)
- Date of return request
- Date of purchase

Upon receiving this information and assuming it is correct, permission will then be granted for return. All returned merchandise (except defective, or incorrect shipment) are subject to a 15% handling charge or direct exchange for other parts.

Remember...No allowance will be made for any shortage or damage unless we receive correct notification (see above for details), within fifteen (15) days for delivery.

Legal in California for racing vehicles only, not street legal.

**Speedway Motors Inc., P.O. Box 81906  
Lincoln, NE 68501 (402) 323-3200  
www.speedwaymotors.com**

# IMPORTANT

## IMPORTANT

Legal only for those vehicles which may never be used upon a highway.

## No Warranty or Guarantee...

**NOTICE TO CONSUMER, DEALER, USER  
NO WARRANTY, NO GUARANTEE  
EITHER WRITTEN OR IMPLIED**

Neither the seller or the manufacturer will be liable for any loss, damage, or injury direct or indirect arising from the use of or the inability to determine the use of the product. Before using, the user shall determine the suitability of the product for its intended use, and the user shall assume all responsibility and risk in connection therewith.

Axles	Rods	Spindles
Frames	Bodies	Arms
Brackets	Adapters	Seats
Fasteners	Steering Parts	Steering Wheels
Bolts	Rod Ends	All suspension parts and components
Bushings	Hubs	

## Speedway Catalog

Speedway Motors' giant catalog contains the nation's largest selection of unique & hard to find street rodding items and hard core racing products. If you don't already have this super buyer's guide, order your personal copy today.



## IMPORTANT

Legal only for those vehicles which may never be used upon a highway.

## No Warranty or Guarantee...

**NOTICE TO CONSUMER, DEALER, USER  
NO WARRANTY, NO GUARANTEE  
EITHER WRITTEN OR IMPLIED**

Neither the seller or the manufacturer will be liable for any loss, damage, or injury direct or indirect arising from the use of or the inability to determine the use of the product. Before using, the user shall determine the suitability of the product for its intended use, and the user shall assume all responsibility and risk in connection therewith.

Axles	Rods	Spindles
Frames	Bodies	Arms
Brackets	Adapters	Seats
Fasteners	Steering Parts	Steering Wheels
Bolts	Rod Ends	All suspension parts and components
Bushings	Hubs	

## Speedway Catalog

Speedway Motors' giant catalog contains the nation's largest selection of unique & hard to find street rodding items and hard core racing products. If you don't already have this super buyer's guide, order your personal copy today.

