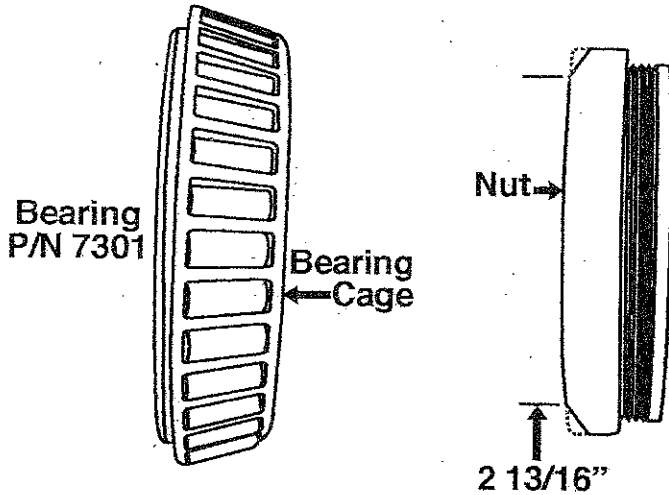


2 1/2" GN

CRUSH SLEEVE

P/N 3851

*Install as is if using angular contact bearings.



If using tapered roller bearings, outer edge of nut must be turned down to $2 \frac{13}{16}$ " to clear cage of bearing.



1580 Trolley Road
York, PA 17408 USA
P: 717-764-9844 F: 717-764-0617
www.wintersperformance.com